

Part No:

# HWLPT10-ER



*WR-10, Millimeter Waveguide, W-Band Termination  
Rated to 0.3 Watts, 75 GHz to 110 GHz*

The HASCO WR-10 Millimeter Waveguide, W-Band Termination **HWLPT10-ER** is rated to 0.3 Watts and operates from 75 GHz to 110 GHz. This WR-10, W-Band termination is constructed with a circular UG-387/U-M Flange.

A Millimeter Waveguide Termination is a passive RF device specifically designed to prevent RF signals from reflecting back from open-ended or unused waveguide ports. Millimeter Waveguide Terminations dissipate RF energy by producing heat energy. HASCO offers a series of rectangular waveguide terminations covering the waveguide sizes WR-10, WR-12, WR-15, WR-19, WR-22 AND WR-28.

## Specifications

• Frequency Range	75 - 110 GHz
• VSWR	1.05:1 Typical
• Impedance	50 Ohms
• Power Dissipation	0.3 Watts Max
• Length	2 inch
• RF Ports	WR-10 Waveguide with UG-387/U-M Flange

## Environmental Data

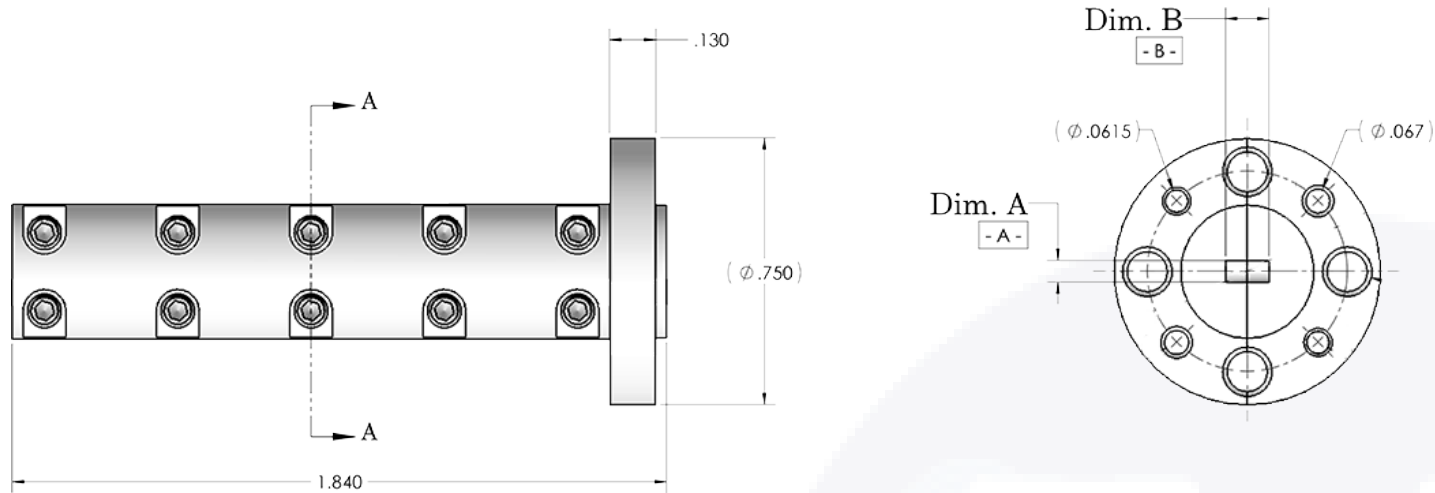
• Temperature Range	0°C to +100°C
---------------------	---------------

## Material

• Waveguide	075-T6 Aluminum, Electroless Nickel Under-plate/Gold Plated
• Flange	UG-387/U-M


To view online, go to: <https://www.hasco-inc.com/millimeterwave/wr-10-millimeter-waveguide-load-termination-75-ghz-to-110-ghz-0-3-watts-w-band/>

# HWLPT10-ER | 75 - 110 GHz | Outline Drawing



Part No.	Dim A	Dim B
HWLPT10-ER	0.050 ±.002	0.100 ±.002
HWLPT12-ER	0.061 ±.002	0.122 ±.002
HWLPT15-ER	0.074 ±.002	0.148 ±.002

To view online, go to: <https://www.hasco-inc.com/millimeterwave/wr-10-millimeter-waveguide-load-termination-75-ghz-to-110-ghz-0-3-watts-w-band/>

LTR	DESCRIPTION	DATE	APPR.	DRAWN BY: ABC	CHECKED BY: ABC	 5214 Bonsai Street • Moorpark, CA 93021 (888) 498-3242 • sales@hasco-inc.com <a href="http://www.hasco-inc.com">www.hasco-inc.com</a>				
-	RELEASE	12/16	TAC	APPROVED BY: ABC						
				THESE DRAWINGS AND SPECIFICATIONS ARE THE PROPERTY OF HASCO COMPONENTS AND SHALL NOT BE REPRODUCED, COPIED NOR USED - IN WHOLE OR IN PART - AS THE BASIS FOR THE MANUFACTURE OR SALE OF OTHER ITEMS WITHOUT THE EXPRESS, WRITTEN PERMISSION OF HASCO COMPONENTS.		MATERIALS:	CAGE CODE:	SCALE:	SIZE:	
						SEE DATA SHEET	OT8L4	N/A	A	
						FINISHES:	PART NO./DRAWING NO.	REV:		
						SEE DATA SHEET	<b>HWLPT10-ER</b>	-		
THIS DRAWING IS A CONTROLLED DOCUMENT										