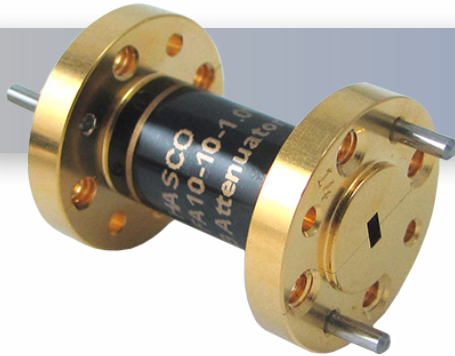


Part No:

HWFA12-10-1.0



*10 dB - WR-12, Millimeter Waveguide, E-Band
Fixed Attenuator, Rated to 0.3 Watts, 60 GHz to 90 GHz*



The HASCO WR-12 Millimeter Waveguide Fixed Attenuator **HWFA12-10-1.0** is rated to 0.3 Watts and operates from 60 GHz to 90 GHz. This E-Band, WR-12 attenuator has a fixed attenuation value of 10 dB at center frequency and is constructed with a round UG-387/U Flange.

A Millimeter Waveguide Attenuator is a passive RF device specifically designed to reduce the power of a signal without affecting or reducing the waveform of the signal. Millimeter Waveguide Fixed Attenuators have a fixed level of attenuation - any signal input in to the system will be attenuated by the waveguide. HASCO offers a series of rectangular waveguide attenuators covering the waveguide sizes WR-10, WR-12 and WR-15 and fixed attenuation values of 3 dB, 6 dB, 10 dB, 20 dB and 30 dB

Specifications

- Frequency Range 60 - 90 GHz
- VSWR 1.15:1 Typical
- Impedance 50 Ohms
- Power 0.3 Watt
- Length 1.0 Inches
- Attenuation 10 dB (Accuracy = 0.7 dB @ 4%)
- RF Ports WR-12 Waveguide with UG-387/U Flange

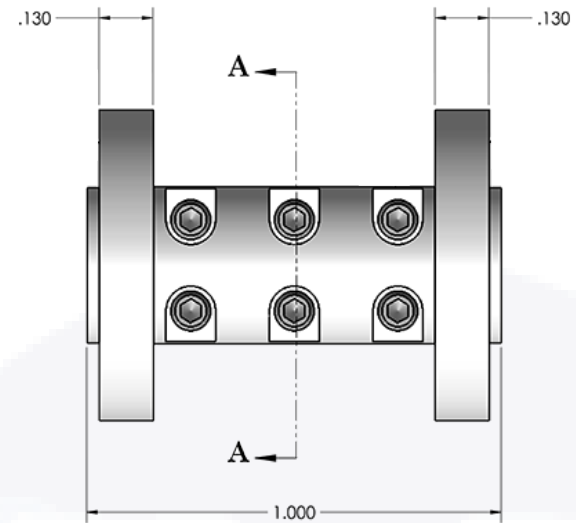
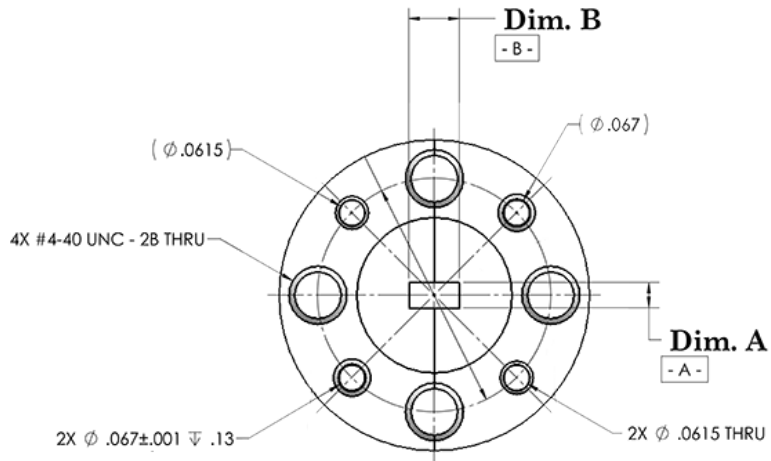
Environmental Data

- Temperature Range 0°C to +100°C

Material


- Waveguide 075-T6 Aluminum, Electroless Nickel Under-plate/Gold Plated
- Flange UG-387/U

To view online, go to: <https://www.hasco-inc.com/attenuators/10-db-wr-12-fixed-e-band-millimeter-waveguide-attenuator-operating-from-60-ghz-to-90-ghz-0-3-watts/>



Part No.	Dim A	Dim B
HWFA10-XX-1.0	0.050 ±.002	0.100 ±.002
HWFA12-XX-1.0	0.061 ±.002	0.122 ±.002
HWFA15-XX-1.0	0.074 ±.002	0.148 ±.002

To view online, go to: <https://www.hasco-inc.com/attenuators/10-db-wr-12-fixed-e-band-millimeter-waveguide-attenuator-operating-from-60-ghz-to-90-ghz-0-3-watts/>

LTR	DESCRIPTION	DATE	APPR.	DRAWN BY: ABC	CHECKED BY: ABC		5214 Bonsai Street • Moorpark, CA 93021 (888) 498-3242 • sales@hasco-inc.com www.hasco-inc.com			
-	RELEASE	1/19	TAC	APPROVED BY: ABC						
				THESE DRAWINGS AND SPECIFICATIONS ARE THE PROPERTY OF HASCO COMPONENTS AND SHALL NOT BE REPRODUCED, COPIED NOR USED - IN WHOLE OR IN PART - AS THE BASIS FOR THE MANUFACTURE OR SALE OF OTHER ITEMS WITHOUT THE EXPRESS, WRITTEN PERMISSION OF HASCO COMPONENTS.			MATERIALS:	CAGE CODE:	SCALE:	SIZE:
							SEE DATA SHEET	0T8L4	N/A	A
							FINISHES:	PART NO./DRAWING NO.		REV:
							SEE DATA SHEET	HWFA12-10-1.0		-
THIS DRAWING IS A CONTROLLED DOCUMENT										