

Part No:

HT716M-25



25 Watt RF Load Termination with 7/16 Male Connector DC - 6 GHz

The HASCO **HT716M-25** is an RF termination (also called RF load or dummy load) that operates from DC to 6 GHz and handles up to 25 Watt (CW). Our 7/16 termination/load has a male gender. HT716M-25 7/16 termination offers 1.25:1 max VSWR. The HASCO 25W 7/16 termination has a heatsink body which is designed to provide adequate heat dissipation within its full frequency of operation.

The **HT716M-25** is RoHS Compliant.



RF load/terminations are indispensable components in many RF, microwave and millimeter wave systems where signal reflection from unused ports can potentially damage the device or reduce the signal integrity. By using a termination on an unused port with a matched load (dummy load), the incident energy will be absorbed with minimal reflection. These termination components are commonly used to terminate devices such as couplers, circulators, and switches. They are also widely used in measurement systems to ensure accurate results. HASCO offers a huge selection of RF, microwave and millimeter wave terminations up to 65 GHz with excellent performance over the entire operating range and power handling capabilities up to 800 Watt (CW).

Electrical

• Frequency Range	DC - 6 GHz
• VSWR	DC - 3 GHz..... 1.15 3 - 6 GHz..... 1.25
• Impedence	50 Ohms
• Power	25 Watt Average to 25°C Ambient Temperature Derated Linearly to 2.5W @ 125°C
• Power Peak	3KW 5µS Pulse Width with 2.5% Duty Cycle

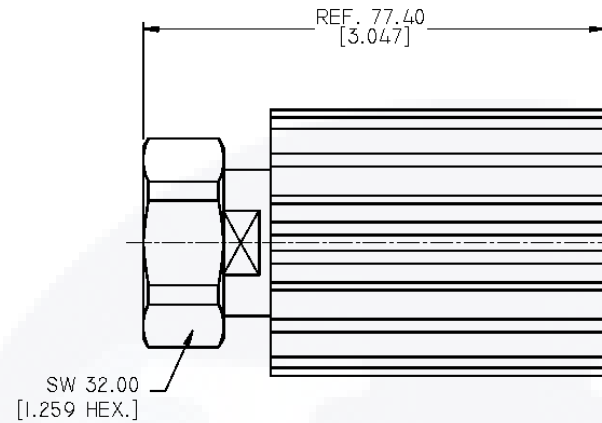
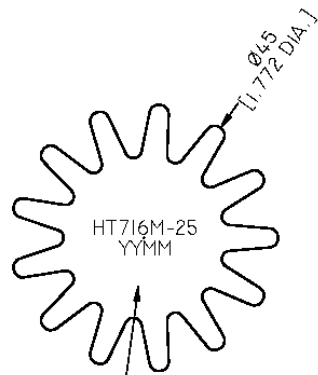
Environmental Data

• Temperature Range	-55°C - +125°C
---------------------	----------------


Material

• Insulator	PTFE
• Center Contact	Phosphor Bronze, Silver Plated
• Body	Brass, Albaloy Plated
• Coupling Nut	Brass, Albaloy Plated
• Gasket	MVQ (Silicone Rubber)
• Heat Sink	Aluminum Alloy, Black Annodized Finish
• Resistance	Beryllium Oxide

To view online, go to: <https://www.hasco-inc.com/terminations/25-watt-rf-load-termination-with-7-16-male-connector-dc-6-ghz/>



To view online, go to: <https://www.hasco-inc.com/terminations/25-watt-rf-load-termination-with-7-16-male-connector-dc-6-ghz/>

LTR	DESCRIPTION	DATE	APPR.	DRAWN BY: ABC	CHECKED BY: ABC	 <p>5214 Bonsai Street • Moorpark, CA 93021 (888) 498-3242 • sales@hasco-inc.com www.hasco-inc.com</p>
-	RELEASE	12/16	TAC	APPROVED BY: ABC		
				THESE DRAWINGS AND SPECIFICATIONS ARE THE PROPERTY OF HASCO COMPONENTS AND SHALL NOT BE REPRODUCED, COPIED NOR USED - IN WHOLE OR IN PART - AS THE BASIS FOR THE MANUFACTURE OR SALE OF OTHER ITEMS WITHOUT THE EXPRESS, WRITTEN PERMISSION OF HASCO COMPONENTS.		MATERIALS: SEE DATA SHEET
						CAGE CODE: OT8L4
						SCALE: 4:1
						SIZE: A
						FINISHES: SEE DATA SHEET
THIS DRAWING IS A CONTROLLED DOCUMENT						PART NO./DRAWING NO. HT716M-25
						REV: -