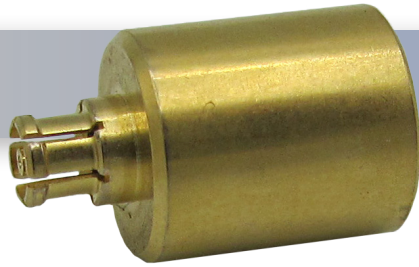


Part No:

HT6SMPMF



1W Load Termination with SMPM Female Connector - 6 GHz

Electrical

- Impedence 50 Ohms
- Frequency Range DC - 6 GHz
- VSWR 1.20:1 @ 6 GHz Max
- Insertion Loss $\leq 0.1 \times \sqrt{f(\text{GHz})}$ dB
- Diel. Withstanding Voltage 325V
- Insulation Resistance $\geq 5000M\Omega$
- Contact Resistance (Inner) $\leq 6M\Omega$
- Contact Resistance (Outer) $\leq 2M\Omega$
- Temperature Range -40° to 105°C
- Contact Pin Captivation $\geq 1.5\text{lbs}$

- Durability (Mating) ≥ 100
- Engagement Force 3.5 lbs Typical
- Disengagement Force 5.0 lbs Typical

	Full Detent	Smooth Bore
• Durability (Mating)	≥ 100	≥ 1000
• Engagement Force	3.5 lbs Typical	1.5 lbs Typical
• Disengagement Force	5.0 lbs Typical	1.5 lbs Typical

Material

Note: All plating thickness values are in micro-inches.

- Body & Contact Pin BeCu (Plating: Gold 4 over Nickel-Phosphorus Alloy 80 over Copper 20)
- Ferrule & Cover Brass (Plating: Gold 4 over Nickel-Phosphorus Alloy 80 over Copper 20)
- Insulator PPO

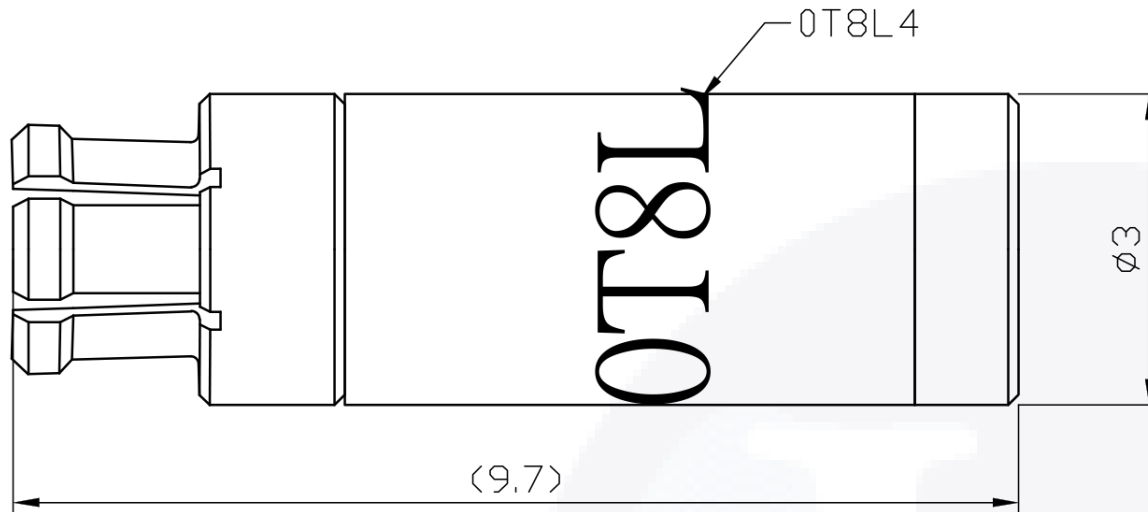
The HASCO **HT6SMPMF** is a push on RF Load Termination from HASCO. This RF Load Termination will operate up to 6 GHz and rated for 1 Watt. The SMPM termination was developed for dense connector application, 5G requirements and high speed semi-conductor testing.


The HT6SMPMF is RoHS compliant.



HASCO stocks an extensive selection of RF Loads, also known as Terminations. They are used to prevent signals from flowing back into a transmission line causing unwanted distortion and power loss. Terminations are available for coaxial transmission lines and waveguide.

1 Watt Load Termination with SMPM Female Connector | DC - 6 GHz | Outline Drawing



LTR	DESCRIPTION	DATE	APPR.	DRAWN BY: <i>NS</i>	CHECKED BY: <i>JMS</i>		5214 Bonsai Street • Moorpark, CA 93021 (888) 498-3242 • sales@hasco-inc.com www.hasco-inc.com		
-	RELEASE	07/22	TAC	APPROVED BY: <i>TAC</i>					
				THESE DRAWINGS AND SPECIFICATIONS ARE THE PROPERTY OF HASCO COMPONENTS AND SHALL NOT BE REPRODUCED, COPIED NOR USED - IN WHOLE OR IN PART - AS THE BASIS FOR THE MANUFACTURE OR SALE OF OTHER ITEMS WITHOUT THE EXPRESS, WRITTEN PERMISSION OF HASCO COMPONENTS.		MATERIALS:	CAGE CODE:	SCALE:	SIZE:
						SEE DATA SHEET	OT8L4	N/A	A
						FINISHES:	PART NO./DRAWING NO.		REV:
						SEE DATA SHEET	HT6SMPMF		-
THIS DRAWING IS A CONTROLLED DOCUMENT									