

4 3 2 1

REVISIONS			
REV	DESCRIPTION	DATE	APPROVED
A	INITIAL RELEASE	11/16/15	J. QU

MATERIAL & FINISH

- 1 BODY: BRASS, ALBALOY PLATED
- 2 CENTER CONTACT: PHOSPHOR BRONZE, SILVER PLATED
- 3 INSULATOR: PTFE
- 4 COUPLING NUT: BRASS, ALBALOY PLATED
- 5 GASKTE: MVO(SILICONE RUBBER)
- 6 RADIATOR: ALUMINIUM, BLACK
- 7 RESISTANCE: BERYLLIUM OXIDE

ELECTRICAL DATA:

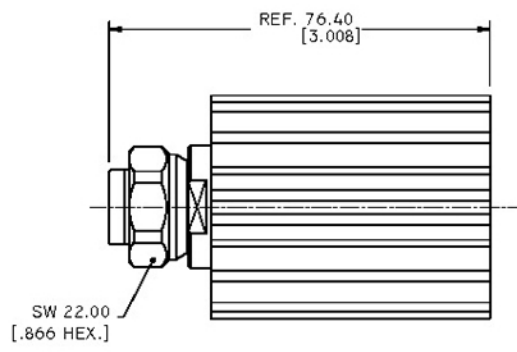
- 1 IMPEDANCE: 50 OHMS
- 2 FREQUENCY RANGE: DC~7 GHz
- 3 VSWR: 1.15 MAX. AT DC~3 GHz
1.25 MAX. AT 3~7 GHz
- 4 AVERAGE POWER: 25 WATTS AVERAGE TO 25°C AMBIENT TEMPRATURE, DERATED LINEARLY TO 2.5W @ 125°C
- 5 PEAK POWER: 1 KW (5μS PULSE WIDTH WITH 2.5% DUTY CYCLE)

ENVIRONMENTAL DATA:

- 1 TEMPERATURE RANGE: -55°C~+125°C
- 2 2011/65/EU (RoHS): COMPLIANT



HASCO PART NO.
DATE CODE



NOTES:

- 1 ALL SPECIFICATIONS ARE SUBJECT TO CHANGE WITHOUT NOTICE AT ANY TIME.
- 2 CUSTOMER OUTLINE DRAWING FOR REFERENCE ONLY.
- 3 HIS PRODUCT CONTAINS BERYLLIA CERAMIC INSIDE, WHICH IS POTENTIALLY HARMFUL TO THE ENVIRONMENT. DISPOSE OF CORRECTLY.

DRAWN	X. B. YANG	DATE	11/16/15
CHECKED	L. YANG	DATE	11/16/15
APPROVED	J. QU	DATE	11/16/15
UNLESS OTHERWISE SPECIFIED DIMENSIONS ARE IN MILLIMETERS. DIMENSIONS IN [] ARE IN INCHES FOR CUSTOMER REFERENCE ONLY UNLESS OTHERWISE SPECIFIED		TOLERANCE ARE:	
.XX	±0.13 [0.005"]	THESE DRAWINGS AND SPECIFICATIONS ARE THE PROPERTY OF HASCO COMPONENTS AND SHALL NOT BE REPRODUCED, COPIED NOR USED - IN WHOLE OR IN PART - AS A BASIS FOR THE MANUFACTURE OR SALE OF OTHER ITEMS WITHOUT THE EXPRESS WRITTEN PERMISSION OF HASCO COMPONENTS	
.X	±0.20 [0.008"]		
X	±0.50 [0.019"]		
.X*	±1*		
X*	±2*		

	HASCO, INC COMPONENTS DISTRIBUTOR		5214 Bonsai Street Moorpark, CA (888) 498-3242 www.hasco-inc.com
	TITLE COAXIAL TERMINATION 4.3-10 MALE, 25 WATTS, DC~7GHZ		
VIEW 	PART NO. HT4310M-25		SIZE A3
SCALE 1:1	SHEET 1/1	REV. A	

4 3 2 1