

Part No:


HT40M-1



1 Watt RF Load Termination with 2.92mm Male Connector - 40 GHz



Features

- RoHS Compliant 
- Thermal Shock: MIL-STD-202, Method 107, Cond. B
- Moisture Resistance: MIL-STD-202, Method 206
- Corrosion: MIL-STD-202, Method 101, Cond. B
- Interface: MIL-STD-348B

HT40M-1 is a 2.92mm Male RF Load / RF Termination manufactured by HASCO Components. HT40M-1 is rated for operation from DC to 40 GHz and rated for 1 Watt. RF Loads, also known as Terminations are used to prevent signals from flowing back into a transmission line causing unwanted distortion and power loss. Terminations are available for coaxial transmission lines and waveguide.

Electrical

• Impedance	50 Ω
• Frequency Range	DC - 40 GHz
• VSWR	1.15:1 Max
• Insertion Loss	$\leq 0.04 \times f(\text{GHz})$ dB
• Insulation Resistance	$\geq 5000M\Omega$
• Contact Resistance	$\leq 3m\Omega$ (inner), $\leq 2m\Omega$ (outer)
• Diel. Withstanding Voltage	750 V rms (sea level)
• Working Voltage	250 V rms (sea level)
• RF Leakage	≥ 100 dB to 1 GHz

Mechanical

• Coupling Nut Torque	11.47 in/lbs
• Coupling Proof Torque	15 in/lbs
• Contact Captivation Axial	≥ 4.9 lbs
• Durability	≥ 500

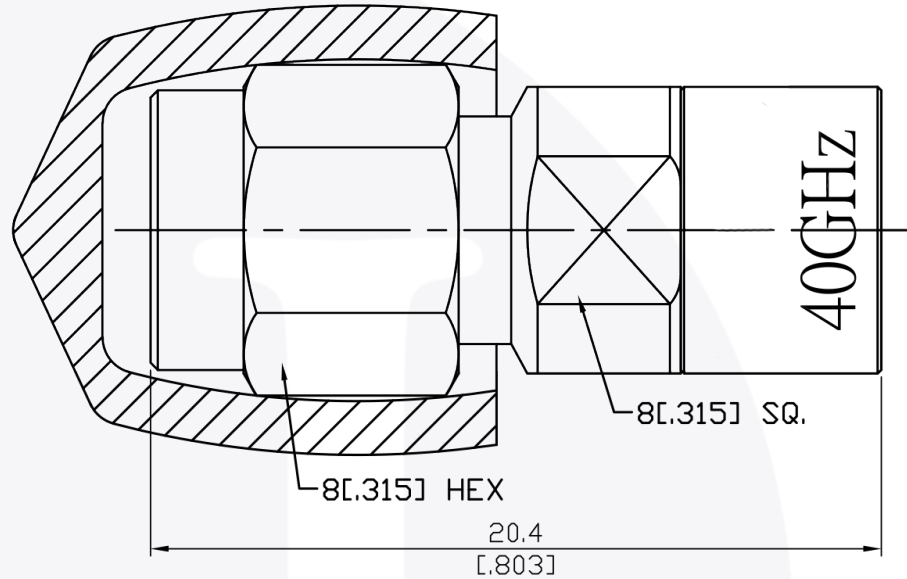
Environmental


• Temperature Range	-40°C to 105°C
---------------------	----------------

Material

• Connector Body & Nut	Passivated Stainless Steel
• Gasket	Silicone
• Dielectric	PPO
• Center Contact	Gold Plated BeCu
• Retainer Ring	Tin-Zinc-Copper Alloy plated BeCu
• Dust Cap	PVC

1 Watt RF Load Termination with 2.92mm Male Connector | DC - 40 GHz | Outline Drawing



LTR	DESCRIPTION	DATE	APPR.	DRAWN BY: <i>NS</i>	REVIEWED BY: <i>JS</i>	 5214 Bonsai Avenue • Moorpark, CA 93021 (888) 498-3242 • sales@hasco-inc.com www.hasco-inc.com				
-	RELEASE	1/25	TC		APPROVED BY: <i>TC</i>					
				THESE DRAWINGS AND SPECIFICATIONS ARE THE PROPERTY OF HASCO COMPONENTS AND SHALL NOT BE REPRODUCED, COPIED NOR USED - IN WHOLE OR IN PART - AS THE BASIS FOR THE MANUFACTURE OR SALE OF OTHER ITEMS WITHOUT THE EXPRESS, WRITTEN PERMISSION OF HASCO COMPONENTS.		MATERIALS: SEE DATA SHEET	CAGE CODE: OT8L4	SCALE: N/A	SIZE: A	
						FINISHES: SEE DATA SHEET	PART NO./DRAWING NO. HT40M-1		REV: -	
						THIS DRAWING IS A CONTROLLED DOCUMENT				