

Part No:

HAD-TNCJ-SMAJ



TNC Female to SMA Female Adapter - 18 GHz

Features

- RoHS Compliant



- Mechanically compatible with 2.92mm & 3.5mm
- Standard: MIL-STD-348B
- Thermal Shock: MIL-STD-202
- Moisture Resistance: MIL-STD-202
- Corrosion: MIL-STD-202

The HASCO **HAD-TNCJ-SMAJ** is a TNC Female to SMA Female between series adapter manufactured by HASCO Components. This between series TNC to SMA coax adapter will operate up to 18 GHz. Adapters that have a male to female or plug to jack configuration are known as "connector savers." Typically, a low loss or low VSWR male to female adapter is placed on more expensive component connectors to prevent damage.

Electrical

- Impedance 50Ω
- Frequency Range DC - 18 GHz
- VSWR 1.15:1 Max
- Insertion Loss $\leq 0.05 \times \sqrt{f(\text{GHz})}$ dB
- Insulation Resistance $\geq 5000M\Omega$
- Diel. Withstanding Voltage 1500 V rms
- Working Voltage 500 V rms

Mechanical

	SMA	TNC
• Coupling Nut Torque	7 to 9.5 in-lbs	4.1 to 6.1 in-lbs
• Coupling Proof Torque	15 in-lbs	15 in-lbs
• Contact Captivation-Axial	≥ 6.1 lbs	≥ 6.1 lbs
• Durability	≥ 500 cycles	≥ 500 cycles

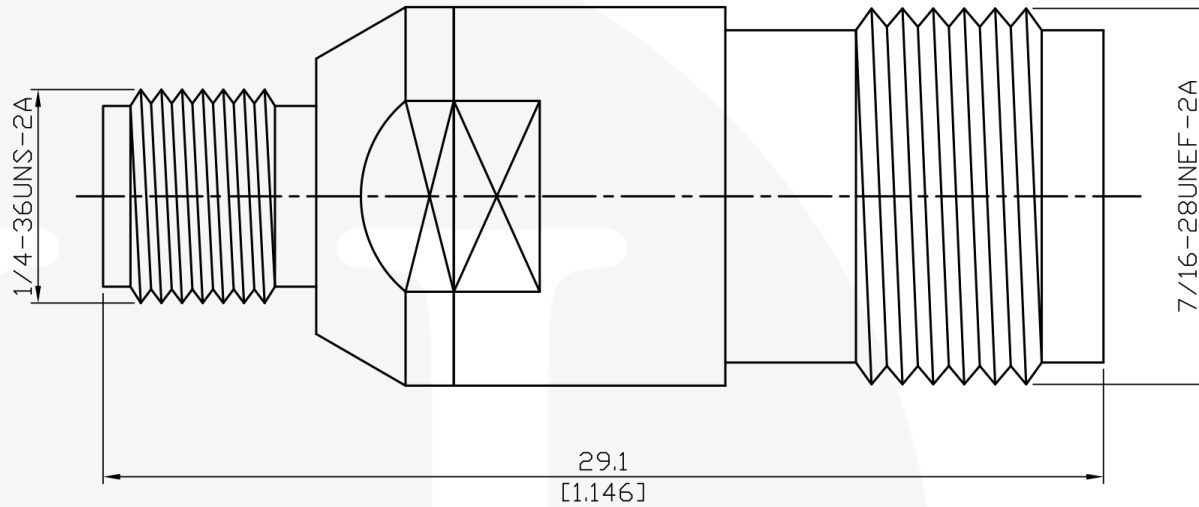
Environmental


- Temperature Range -65°C to 165°C

Material

- Body Passivated Stainless Steel
- Contact Gold plated BeCu
- Dielectric PTFE

TNC Female to SMA Female Adapter | DC - 18 GHz | Outline Drawing



LTR	DESCRIPTION	DATE	APPR.	DRAWN BY: NS	REVIEWED BY: JS	 <p>5214 Bonsai Street • Moorpark, CA 93021 (888) 498-3242 • sales@hasco-inc.com www.hasco-inc.com</p>
-	RELEASE	6/24	TC		APPROVED BY: TC	
				THESE DRAWINGS AND SPECIFICATIONS ARE THE PROPERTY OF HASCO COMPONENTS AND SHALL NOT BE REPRODUCED, COPIED NOR USED - IN WHOLE OR IN PART - AS THE BASIS FOR THE MANUFACTURE OR SALE OF OTHER ITEMS WITHOUT THE EXPRESS, WRITTEN PERMISSION OF HASCO COMPONENTS.		
					MATERIALS: SEE DATA SHEET	CAGE CODE: 0T8L4
					FINISHES: SEE DATA SHEET	SCALE: N/A
						SIZE: A
						PART NO./DRAWING NO. HAD-TNCJ-SMAJ
						REV: -
THIS DRAWING IS A CONTROLLED DOCUMENT						