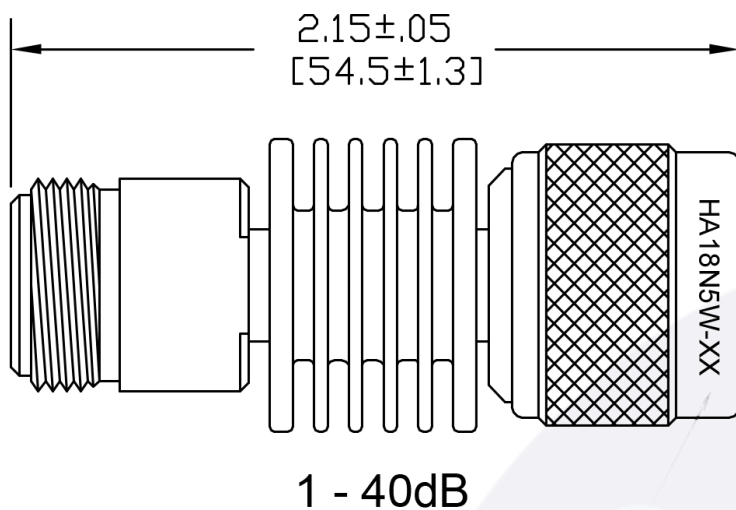




TYPE N 5 Watt Attenuators • Male to Female • DC - 18 GHz

Part No: HA18N5W-XX**

**Replace XX with dB Value



Also available in:
Male to Male, Female to Female,
SMA, TNC, DIN 7-16 versions as well
as between-series Adapters

Electrical

- **Frequency Range** DC - 18 GHz
- **Attenuation (dB)** DC-18 GHz
 - 1 - 6: ± 0.30
 - 7-12, 15, 20: ± 0.50
 - 30: ± 0.75
 - 40: ± 1.25
- **VSWR**
 - DC - 4 GHz1.15
 - 4 - 12.4 GHz1.25
 - 12.4 - 18 GHz1.35
- **Impedance (Nom)** 50 Ohms
- **RF Power Nominal** 5 Watts CW
Derates linearly from 25°C to 10% @ ± 125°C
- **RF Power Peak** 500 Watts
@5 µSec Pulse Width x 0.25% Duty Cycle

Materials

- **Housing** : Aluminum (May be one of several QQ-A-XXX or ASTM Standards)
Black Anodize Finish
- **Dielectric**: Teflon per ASTM D1710
- **Center Conductor**: Beryllium Copper per QQ-C-530, ASTM B196, ASTM-B197 Alloys C17200 or C17300 per MIL-PRF-39012, Gold Plated per ASTM-B488 and MIL-PRF-39012
- **Outer Conductor**: Stainless Steel, Corrosion Resistant per ASTM A484 & A582, Class 303, Cond. A. Passivated Per ASTM A380 and MIL-PRF-39012
- **Resistor Substrate**: AlN or Aluma Ceramic.
Resistor: Proprietary Thin Film Hybrid with Protective Coating