


Part No:

HAD-SMAP-SMAP-MM-RA-01



Mitered SMA Male to SMA Male Right Angle Adapter - 27 GHz

Features

- RoHS Compliant 
- Thermal Shock: MIL-STD-202, Method 107, Cond. B
- Moisture Resistance: MIL-STD-202, Method 206
- Corrosion: MIL-STD-202, Method 101, Cond. B
- Interface: MIL-STD-348B

HAD-SMAP-SMAP-MM-RA-01 is a SMA Male to SMA Male in-series adapter manufactured by HASCO Components. This in-series SMA to SMA coax adapter will operate up to 27 GHz and offers a VSWR of 1.15:1. Adapters that have a male to female or plug to jack configuration are known as “connector savers.” Typically, a low loss or low VSWR male to female adapter is placed on more expensive component connectors to prevent damage.

Electrical

- Impedance 50 Ω
- Frequency Range DC - 27 GHz
- VSWR 1.15:1 Max
- Insertion Loss $\leq 0.06 \times f(\text{GHz})$ dB
- Insulation Resistance $\geq 5000M\Omega$
- Diel. Withstanding Voltage 1500 V rms (sea level)
- Working Voltage 500 V rms (sea level)

Mechanical

- Coupling Nut Torque 7 to 9.5 in/lbs
- Coupling Proof Torque 15 in/lbs
- Coupling Nut Retention Force ≥ 60.7 lbs
- Contact Captivation Axial ≥ 6.1 lbs
- Durability ≥ 500

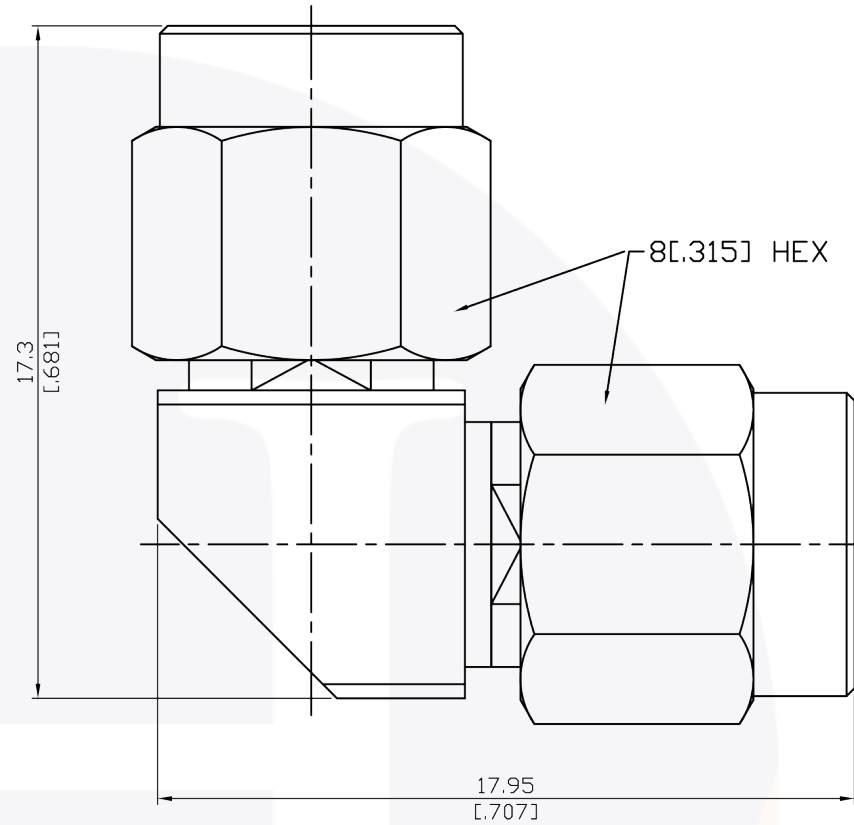
Environmental

- Temperature Range -65°C to 165°C

Material

- Connector Body & Nut Passivated Stainless Steel
- Center Contact Gold Plated BeCu
- Dielectric PTFE
- Retainer Ring Tin-Zinc-Copper Alloy plated BeCu
- Gasket Silicone

Mitered SMA Male to SMA Male Right Angle Adapter | DC - 27 GHz | Outline Drawing



LTR	DESCRIPTION	DATE	APPR.	DRAWN BY: NS	REVIEWED BY: JS
-	RELEASE	3/25	TC		APPROVED BY: TC
				THESE DRAWINGS AND SPECIFICATIONS ARE THE PROPERTY OF HASCO COMPONENTS AND SHALL NOT BE REPRODUCED, COPIED NOR USED - IN WHOLE OR IN PART - AS THE BASIS FOR THE MANUFACTURE OR SALE OF OTHER ITEMS WITHOUT THE EXPRESS, WRITTEN PERMISSION OF HASCO COMPONENTS.	
THIS DRAWING IS A CONTROLLED DOCUMENT					



5214 Bonsai Avenue • Moorpark, CA 93021
 (888) 498-3242 • sales@hasco-inc.com
www.hasco-inc.com

MATERIALS: SEE DATA SHEET	CAGE CODE: 0T8L4	SCALE: N/A	SIZE: A
FINISHES: SEE DATA SHEET	PART NO./DRAWING NO. HAD-SMAP-SMAP-MM-RA-01		REV: -