


Part No:

HAD-NP-TNCP



Type N Male to TNC Male Adapter - 18 GHz

Features

- RoHS Compliant 
- MIL-STD-348B Standard Interface
- Thermal Shock: MIL-STD-202, Method 107, Condition B
- Moisture Resistance: MIL-STD-202, Method 206
- Corrosion: MIL-STD-202, Method 101, Condition B

The HASCO **HAD-NP-TNCP** is a Type N Male to TNC Male between series adapter manufactured by HASCO Components. This between series Type N to TNC coax adapter will operate up to 18 GHz. Adapters that have a male to female or plug to jack configuration are known as “connector savers.” Typically, a low loss or low VSWR male to female adapter is placed on more expensive component connectors to prevent damage.

Electrical

- Impedance 50 Ohms
- Frequency Range DC - 18 GHz
- VSWR $\leq 1.15:1$
- Insertion Loss $\leq 0.05 \times \sqrt{f(\text{GHz})}$ dB
- Insulation Resistance $\geq 5000 \text{ M}\Omega$
- Diel. Withstanding Voltage 1500 V rms
- Working Voltage 500 V rms

Mechanical

| | Type N | TNC |
|--------------------------------|------------------|-------------------|
| • Coupling Nut Torque | 6 to 10 in-lbs | 4.1 to 6.1 in-lbs |
| • Coupling Proof Torque | 15 in-lbs | 15 in-lbs |
| • Coupling Nut Retention Force | ≥ 101.2 lbs | ≥ 101.2 lbs |
| • Contact Captivation-Axial | ≥ 6.3 lbs | ≥ 6.1 lbs |
| • Durability | ≥ 500 | ≥ 500 |

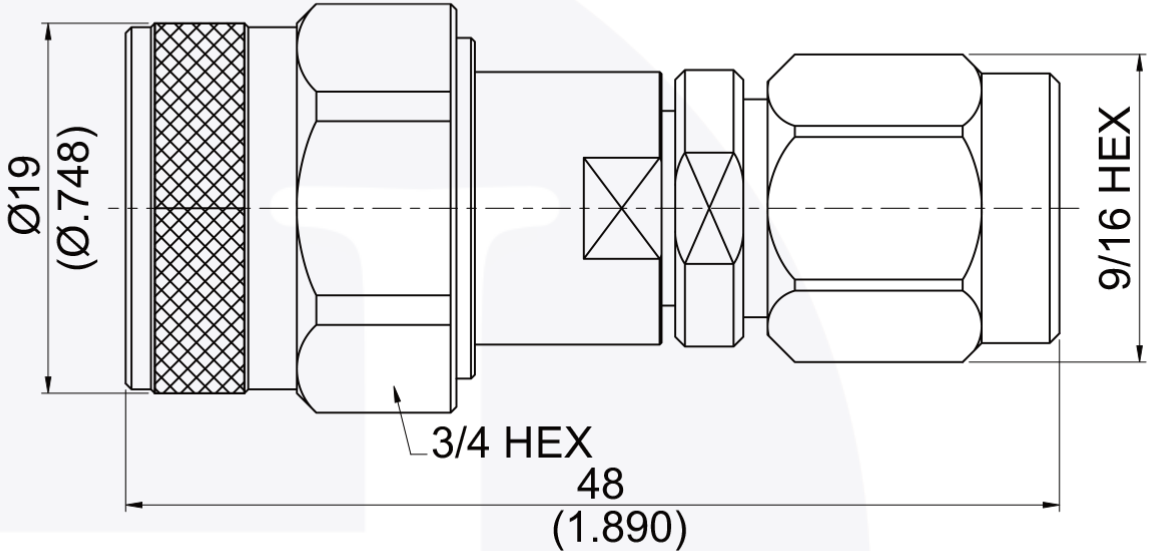
Environmental

- Temperature Range -65°C to 165°C

Material

- Body & Nut Passivated Stainless Steel
- Center Contact Gold Plated BeCu
- Dielectric PTFE
- Gasket Silicon
- Retainer Ring Tin-Zinc-Copper Alloy plated Stainless Steel

Type N Male to TNC Male Adapter | DC - 18 GHz | Outline Drawing



| | | | | | |
|---------------------------------------|-------------|------|-------|--|-----------------|
| LTR | DESCRIPTION | DATE | APPR. | DRAWN BY: NS | REVIEWED BY: JS |
| - | RELEASE | 7/24 | TC | | APPROVED BY: TC |
| | | | | THESE DRAWINGS AND SPECIFICATIONS ARE THE PROPERTY OF HASCO COMPONENTS AND SHALL NOT BE REPRODUCED, COPIED NOR USED - IN WHOLE OR IN PART - AS THE BASIS FOR THE MANUFACTURE OR SALE OF OTHER ITEMS WITHOUT THE EXPRESS, WRITTEN PERMISSION OF HASCO COMPONENTS. | |
| | | | | | |
| | | | | | |
| | | | | | |
| | | | | | |
| THIS DRAWING IS A CONTROLLED DOCUMENT | | | | | |



5214 Bonsai Street • Moorpark, CA 93021
 (888) 498-3242 • sales@hasco-inc.com
www.hasco-inc.com

| | | | |
|------------------------------|--|---------------|------------|
| MATERIALS: SEE DATA SHEET | CAGE CODE: 0T8L4 | SCALE: N/A | SIZE: A |
| FINISHES: SEE DATA SHEET | PART NO./DRAWING NO. HAD-NP-TNCP | | REV: - |