

Part No:


# HAD-NJ-TNCJ



## Type N Female to TNC Female Adapter - 18 GHz



### Features

- RoHS Compliant 
- MIL-STD-348B Standard Interface
- Thermal Shock: MIL-STD-202, Method 107, Condition B
- Moisture Resistance: MIL-STD-202, Method 206
- Corrosion: MIL-STD-202, Method 101, Condition B

The HASCO **HAD-NJ-TNCJ** is a Type N Female to TNC Female between series adapter manufactured by HASCO Components. This between series Type N to TNC coax adapter will operate up to 18 GHz. Adapters that have a male to female or plug to jack configuration are known as “connector savers.” Typically, a low loss or low VSWR male to female adapter is placed on more expensive component connectors to prevent damage.

### Electrical

- Impedance 50 Ohms
- Frequency Range DC - 18 GHz
- VSWR  $\leq 1.15:1$
- Insertion Loss  $\leq 0.05 \times \sqrt{f(\text{GHz})}$  dB
- Insulation Resistance  $\geq 5000 \text{ M}\Omega$
- Diel. Withstanding Voltage 1500 V rms
- Working Voltage 500 V rms

### Mechanical

- |                             | Type N         | TNC               |
|-----------------------------|----------------|-------------------|
| • Coupling Nut Torque       | 6 to 10 in-lbs | 4.1 to 6.1 in-lbs |
| • Coupling Proof Torque     | 15 in-lbs      | 15 in-lbs         |
| • Contact Captivation-Axial | $\geq 6.3$ lbs | $\geq 6.1$ lbs    |
| • Durability                | $\geq 500$     | $\geq 500$        |

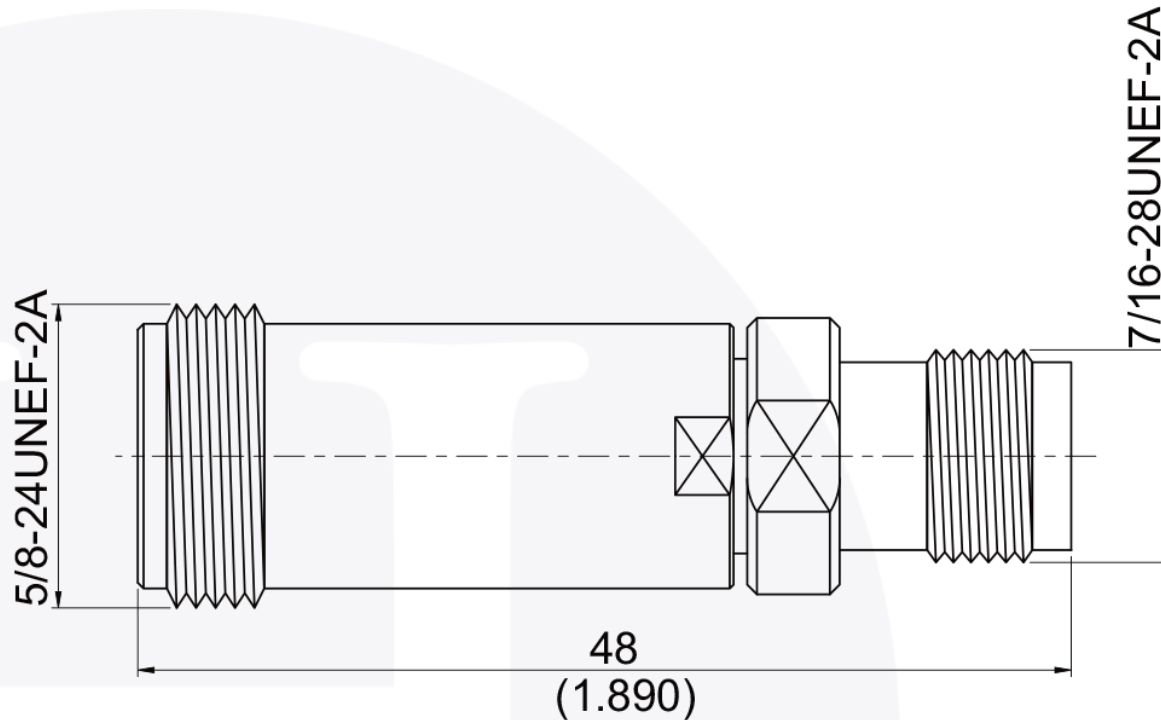
### Environmental


- Temperature Range -65°C to 165°C

### Material

- Body Passivated Stainless Steel
- Center Contact Gold Plated BeCu
- Dielectric PTFE

# Type N Female to TNC Female Adapter | DC - 18 GHz | Outline Drawing



LTR	DESCRIPTION	DATE	APPR.	DRAWN BY: NS	REVIEWED BY: JS	 <p>5214 Bonsai Street • Moorpark, CA 93021 (888) 498-3242 • sales@hasco-inc.com <a href="http://www.hasco-inc.com">www.hasco-inc.com</a></p>
-	RELEASE	7/24	TC		APPROVED BY: TC	
				THESE DRAWINGS AND SPECIFICATIONS ARE THE PROPERTY OF HASCO COMPONENTS AND SHALL NOT BE REPRODUCED, COPIED NOR USED - IN WHOLE OR IN PART - AS THE BASIS FOR THE MANUFACTURE OR SALE OF OTHER ITEMS WITHOUT THE EXPRESS, WRITTEN PERMISSION OF HASCO COMPONENTS.		
				MATERIALS:	SEE DATA SHEET	CAGE CODE: OT8L4 SCALE: N/A SIZE: A
				FINISHES:	SEE DATA SHEET	PART NO./DRAWING NO. <b>HAD-NJ-TNCJ</b> REV: -
THIS DRAWING IS A CONTROLLED DOCUMENT						