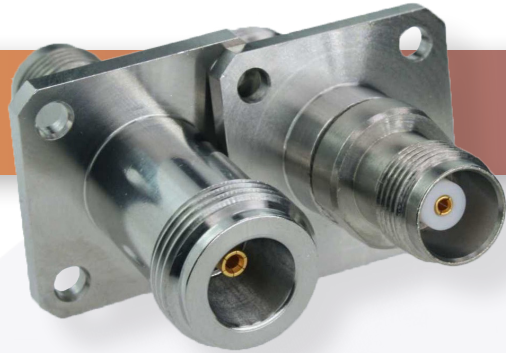



Part No:

HAD-NJ-TNCJ-4H



Type N Female to TNC Female Adapter with 4-Hole Flange - 18 GHz

Features

- RoHS Compliant 
- MIL-STD-348B Standard Interface
- Thermal Shock: MIL-STD-202, Method 107, Condition B
- Moisture Resistance: MIL-STD-202, Method 206
- Corrosion: MIL-STD-202, Method 101, Condition B

The HASCO **HAD-NJ-TNCJ-4H** is a Type N Female to TNC Female between series adapter with 4-Hole flange manufactured by HASCO Components. This between series Type N to TNC coax adapter will operate up to 18 GHz. Adapters that have a male to female or plug to jack configuration are known as “connector savers.” Typically, a low loss or low VSWR male to female adapter is placed on more expensive component connectors to prevent damage.

Electrical

• Impedance	50 Ohms
• Frequency Range	DC - 18 GHz
• VSWR	$\leq 1.15:1$
• Insertion Loss	$\leq 0.05 \times \sqrt{f(\text{GHz})}$ dB
• Insulation Resistance	≥ 5000 M Ω
• Diel. Withstanding Voltage	1500 V rms
• Working Voltage	500 V rms

Mechanical

	Type N	TNC
• Coupling Nut Torque	6 to 10 in-lbs	4.1 to 6.1 in-lbs
• Coupling Proof Torque	15 in-lbs	15 in-lbs
• Contact Captivation-Axial	≥ 6.3 lbs	≥ 6.1 lbs
• Durability	≥ 500	≥ 500

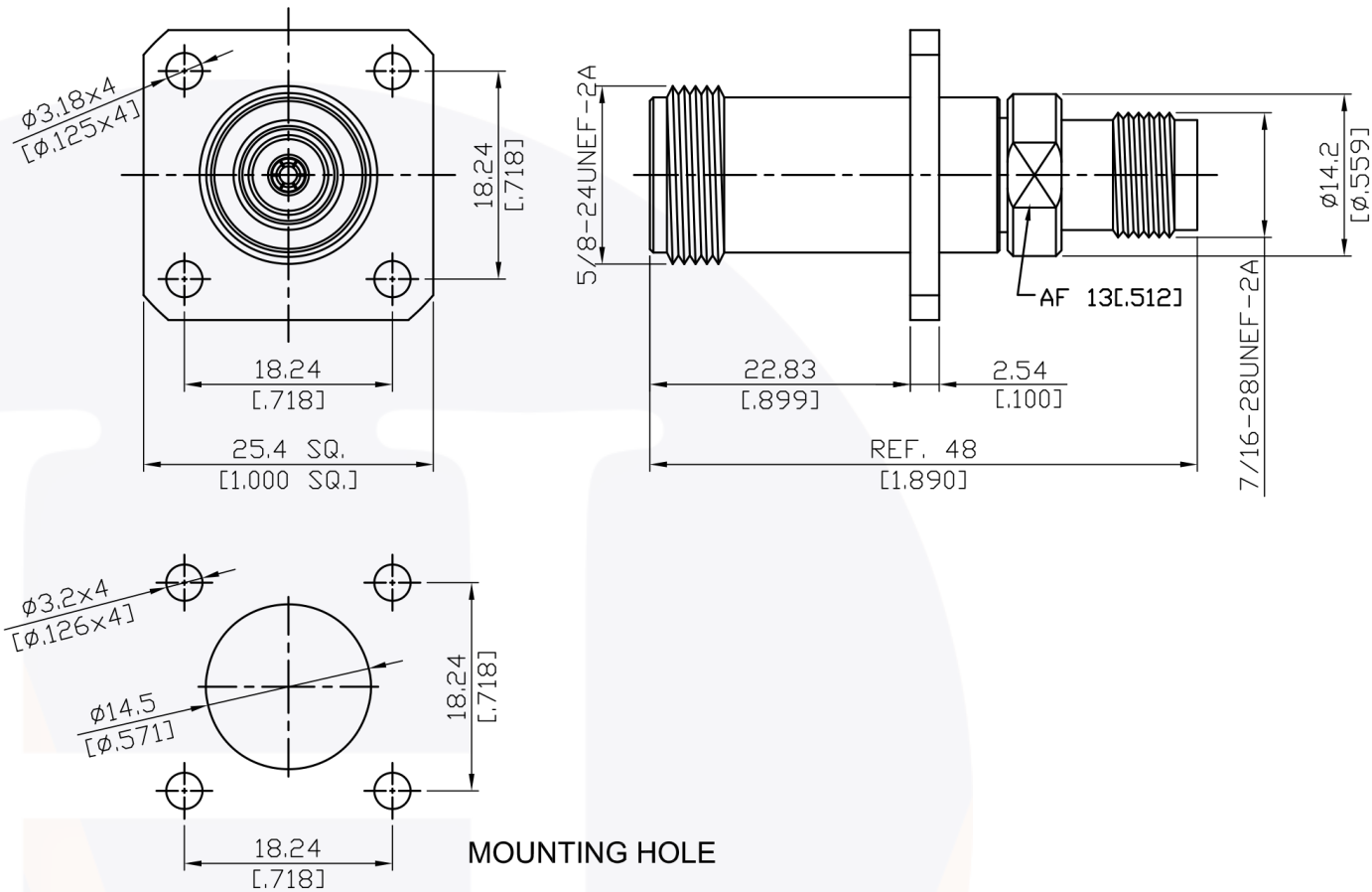
Environmental

• Temperature Range	-65°C to 165°C
---------------------	----------------

Material

• Body	Passivated Stainless Steel
• Center Contact	Gold Plated BeCu
• Dielectric	PTFE

Type N Female to TNC Female Adapter with 4-Hole Flange | DC - 18 GHz | Outline Drawing



MOUNTING HOLE

LTR	DESCRIPTION	DATE	APPR.	DRAWN BY: NS	REVIEWED BY: JS
-	RELEASE	7/24	TC		APPROVED BY: TC
				THESE DRAWINGS AND SPECIFICATIONS ARE THE PROPERTY OF HASCO COMPONENTS AND SHALL NOT BE REPRODUCED, COPIED NOR USED - IN WHOLE OR IN PART - AS THE BASIS FOR THE MANUFACTURE OR SALE OF OTHER ITEMS WITHOUT THE EXPRESS, WRITTEN PERMISSION OF HASCO COMPONENTS.	
THIS DRAWING IS A CONTROLLED DOCUMENT					



5214 Bonsai Street • Moorpark, CA 93021
 (888) 498-3242 • sales@hasco-inc.com
www.hasco-inc.com

MATERIALS:
SEE DATA SHEET

CAGE CODE:
0T8L4

SCALE:
N/A

SIZE:
A

FINISHES:
SEE DATA SHEET

PART NO./DRAWING NO.

HAD-NJ-TNCJ-4H

REV:
-