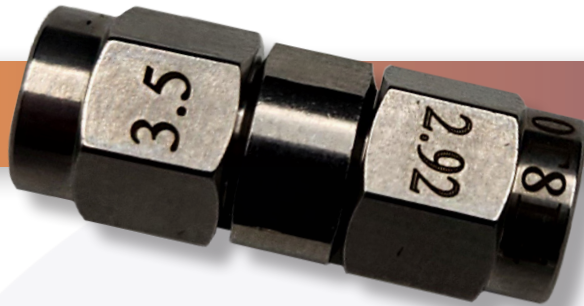



Part No:

HAD-29P35P



2.92mm Male to 3.5mm Male Adapter - 34.5 GHz

Features

- RoHS Compliant 
- Thermal Shock: MIL-STD-202, Method 107, Cond. B
- Moisture Resistance: MIL-STD-202, Method 206
- Corrosion: MIL-STD-202, Method 101, Cond. B
- Interface: MIL-STD-348B (2.92mm), IEC60169-23 (3.5mm)

HAD-29P35P is a 2.92mm Male to 3.5mm Male between series adapter manufactured by HASCO Components. This between series 2.92mm to 3.5mm coax adapter will operate up to 34.5 GHz and offers a VSWR of 1.15:1. Adapters that have a male to female or plug to jack configuration are known as “connector savers.” Typically, a low loss or low VSWR male to female adapter is placed on more expensive component connectors to prevent damage.

Electrical

• Impedance	50 Ω
• Frequency Range	DC - 34.5 GHz
• VSWR	1.15:1 Max
• Insertion Loss	$\leq 0.04 \times f(\text{GHz})$ dB
• Insulation Resistance	$\geq 5000M\Omega$
• Diel. Withstanding Voltage	750 V rms (sea level)
• Working Voltage	250 V rms (sea level)
• RF Leakage	≥ 100 dB to 1 GHz

Mechanical

	2.92mm	3.5mm
• Coupling Nut Torque	11.47 in/lbs	7.1 to 9.7 in/lbs
• Coupling Proof Torque	15 in/lbs	15 in/lbs
• Contact Captivation Axial	≥ 4.9 lbs	≥ 6.1 lbs
• Durability	≥ 500	≥ 500

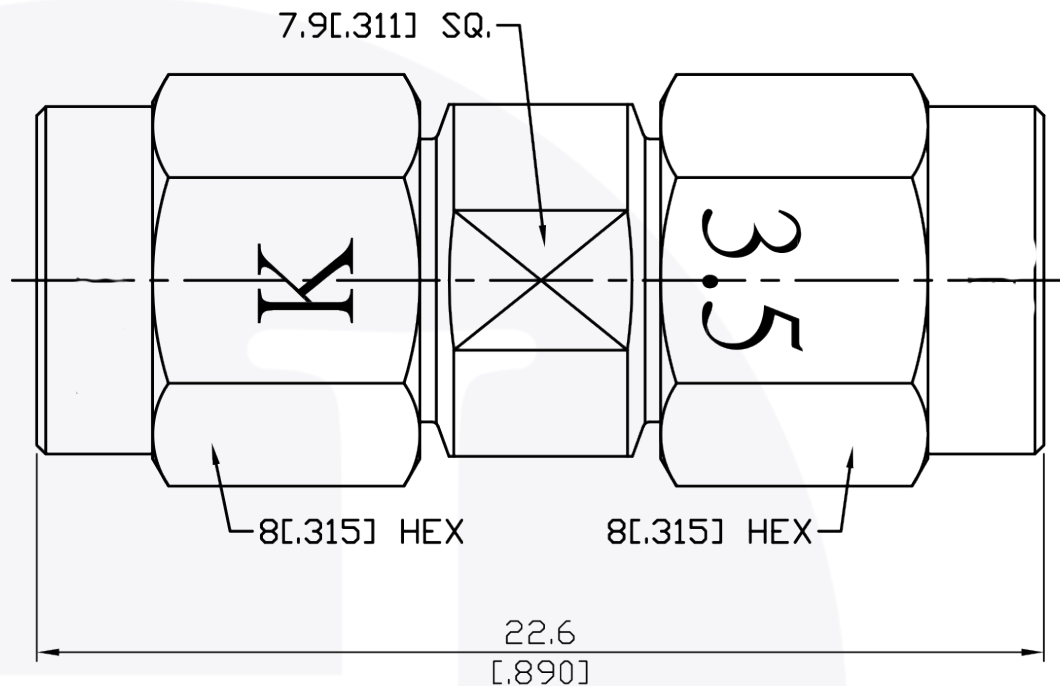
Environmental


• Temperature Range	-55°C to 105°C
---------------------	----------------

Material

• Connector Body & Nut	Passivated Stainless Steel
• Center Contact	Gold Plated BeCu
• Dielectric	PPO
• Retainer Ring	Tin-Zinc-Copper Alloy plated BeCu
• Gasket	Silicone

2.92mm Male to 3.5mm Male Adapter | DC - 34.5 GHz | Outline Drawing



LTR	DESCRIPTION	DATE	APPR.	DRAWN BY: <i>NS</i>	REVIEWED BY: <i>JS</i>	 <p>5214 Bonsai Avenue • Moorpark, CA 93021 (888) 498-3242 • sales@hasco-inc.com www.hasco-inc.com</p>				
-	RELEASE	1/25	TC		APPROVED BY: <i>TC</i>					
				THESE DRAWINGS AND SPECIFICATIONS ARE THE PROPERTY OF HASCO COMPONENTS AND SHALL NOT BE REPRODUCED, COPIED NOR USED - IN WHOLE OR IN PART - AS THE BASIS FOR THE MANUFACTURE OR SALE OF OTHER ITEMS WITHOUT THE EXPRESS, WRITTEN PERMISSION OF HASCO COMPONENTS.		MATERIALS: SEE DATA SHEET	CAGE CODE: OT8L4	SCALE: N/A	SIZE: A	
						FINISHES: SEE DATA SHEET	PART NO./DRAWING NO. HAD-29P35P		REV: -	
THIS DRAWING IS A CONTROLLED DOCUMENT										