

Part No:


# HAD-29J35J



## 2.92mm Female to 3.5mm Female Adapter - 34.5 GHz



### Features

- RoHS Compliant 
- Thermal Shock: MIL-STD-202, Method 107, Cond. B
- Moisture Resistance: MIL-STD-202, Method 206
- Corrosion: MIL-STD-202, Method 101, Cond. B
- Interface: MIL-STD-348B (2.92mm), IEC60169-23 (3.5mm)

HAD-29J35J is a 2.92mm Female to 3.5mm Female between series adapter manufactured by HASCO Components. This between series 2.92mm to 3.5mm coax adapter will operate up to 34.5 GHz and offers a VSWR of 1.15:1. Adapters that have a male to female or plug to jack configuration are known as “connector savers.” Typically, a low loss or low VSWR male to female adapter is placed on more expensive component connectors to prevent damage.

### Electrical

• Impedance	50 $\Omega$
• Frequency Range	DC - 34.5 GHz
• VSWR	1.15:1 Max
• Insertion Loss	$\leq 0.04 \times f(\text{GHz})$ dB
• Insulation Resistance	$\geq 5000M\Omega$
• Diel. Withstanding Voltage	750 V rms (sea level)
• Working Voltage	250 V rms (sea level)
• RF Leakage	$\geq 100$ dB to 1 GHz

### Mechanical

	2.92mm	3.5mm
• Coupling Nut Torque	11.47 in/lbs	7.1 to 9.7 in/lbs
• Coupling Proof Torque	15 in/lbs	15 in/lbs
• Contact Captivation Axial	$\geq 4.9$ lbs	$\geq 6.1$ lbs
• Durability	$\geq 500$	$\geq 500$

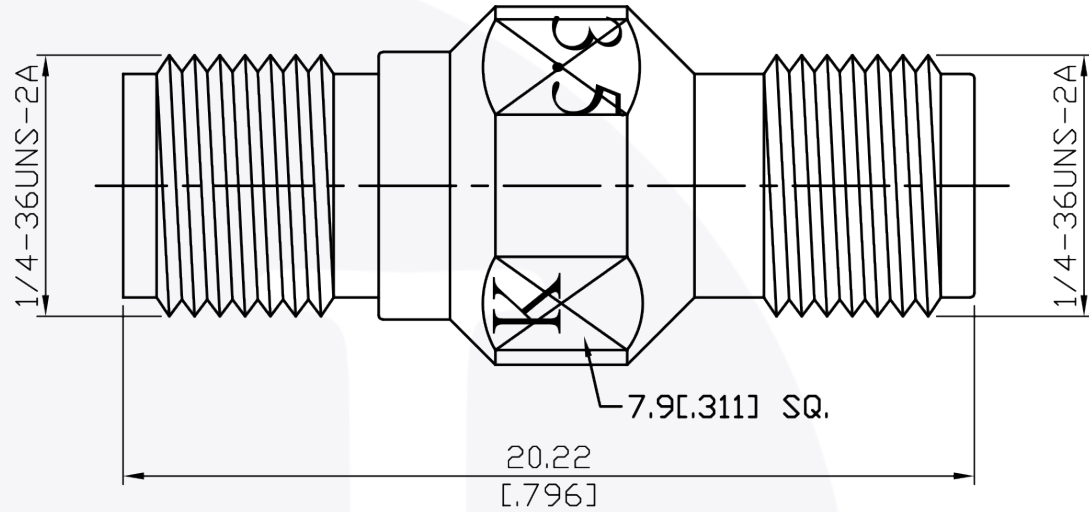
### Environmental


• Temperature Range	-55°C to 105°C
---------------------	----------------

### Material

• Connector Body	Passivated Stainless Steel
• Center Contact	Gold Plated BeCu
• Dielectric	PPO

2.92mm Female to 3.5mm Female Adapter | DC - 34.5 GHz | Outline Drawing



LTR	DESCRIPTION	DATE	APPR.	DRAWN BY: NS	REVIEWED BY: JS	 5214 Bonsai Avenue • Moorpark, CA 93021 (888) 498-3242 • sales@hasco-inc.com <a href="http://www.hasco-inc.com">www.hasco-inc.com</a>			
-	RELEASE	1/25	TC		APPROVED BY: TC				
				THESE DRAWINGS AND SPECIFICATIONS ARE THE PROPERTY OF HASCO COMPONENTS AND SHALL NOT BE REPRODUCED, COPIED NOR USED - IN WHOLE OR IN PART - AS THE BASIS FOR THE MANUFACTURE OR SALE OF OTHER ITEMS WITHOUT THE EXPRESS, WRITTEN PERMISSION OF HASCO COMPONENTS.		MATERIALS:	CAGE CODE:	SCALE:	SIZE:
						SEE DATA SHEET	0T8L4	N/A	A
						FINISHES:	PART NO./DRAWING NO.		REV:
						SEE DATA SHEET	<b>HAD-29J35J</b>		-
THIS DRAWING IS A CONTROLLED DOCUMENT									