


Part No:

# HAD-24P-29J-MF-RA-01



## Mitered 2.4mm Male to 2.92mm Female Right Angle Adapter - 40 GHz

### Features

- RoHs Compliant 
- Thermal Shock: MIL-STD-202, Method 107, Cond. B
- Moisture Resistance: MIL-STD-202, Method 206
- Corrosion: MIL-STD-202, Method 101, Cond. B

The HASCO HAD-24P-29J-MF-RA-01 is a 2.4mm Male to 2.92mm Female between series adapter manufactured by HASCO Components. This between series 2.4mm to 2.92mm coax adapter will operate up to 40 GHz. Adapters that have a male to female or plug to jack configuration are known as “connector savers.” Typically, a low loss or low VSWR male to female adapter is placed on more expensive component connectors to prevent damage.

### Electrical

- Impedance 50  $\Omega$
- Frequency Range DC - 40 GHz
- VSWR 1.15:1 Max
- Insertion Loss  $\leq 0.06 \times \sqrt{f(\text{GHz})}$  dB
- Insulation Resistance  $\geq 5000 \text{ M}\Omega$
- Diel. Withstand Voltage 500 V rms
- Working Voltage 150 V rms
- RF Leakage  $\geq 100 \text{ dB to } 1 \text{ GHz}$

### Mechanical

	2.4mm	2.92mm
• Coupling Nut Torque	7.08 to 9.74 in-lbs	11.47 in-lbs
• Coupling Proof Torque	15 in-lbs	15 in-lbs
• Contact Captivation-Axial	$\geq 4.5 \text{ lbs}$	$\geq 4.9 \text{ lbs}$
• Durability	$\geq 500 \text{ cycles}$	$\geq 500 \text{ cycles}$

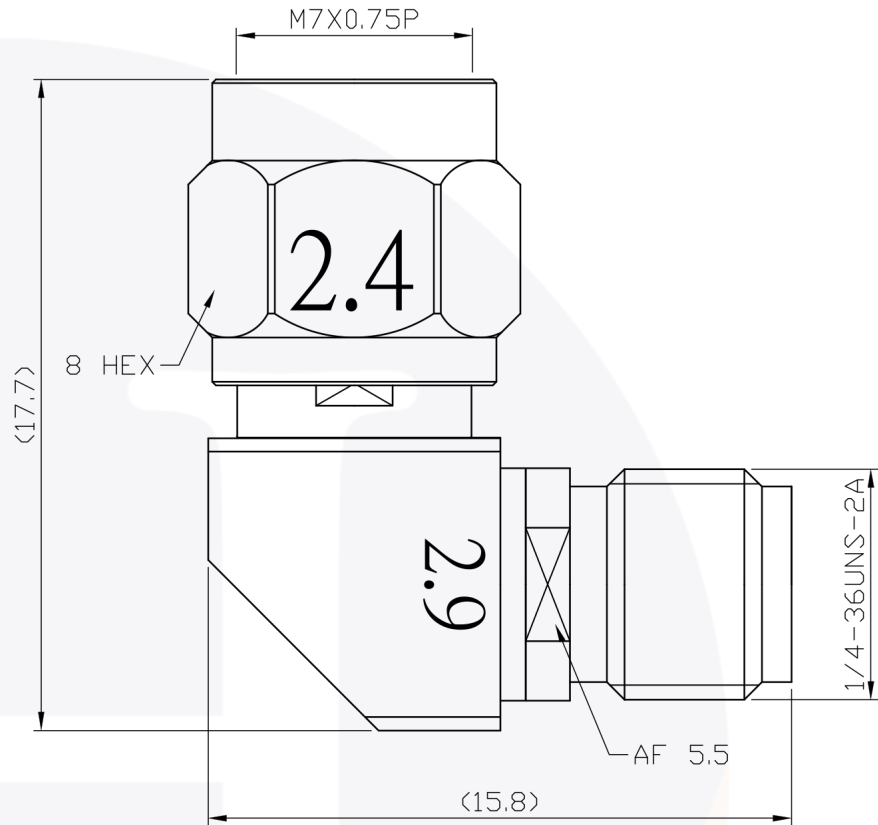
### Environmental

- Temperature Range -55°C to 105°C

### Material

- Connector Body & Nut Passivated Stainless Steel
- Dielectric PPO
- Center Contact Gold Plated BeCu
- Gasket Silicone
- Retainer Ring Tin-Zinc-Copper Alloy plated BeCu

Mitered 2.4mm Male to 2.92mm Female Right Angle Adapter | DC - 40 GHz | Outline Drawing



LTR	DESCRIPTION	DATE	APPR.	DRAWN BY: NS	REVIEWED BY: JS
-	RELEASE	9/24	TC		APPROVED BY: TC
				THESE DRAWINGS AND SPECIFICATIONS ARE THE PROPERTY OF HASCO COMPONENTS AND SHALL NOT BE REPRODUCED, COPIED NOR USED - IN WHOLE OR IN PART - AS THE BASIS FOR THE MANUFACTURE OR SALE OF OTHER ITEMS WITHOUT THE EXPRESS, WRITTEN PERMISSION OF HASCO COMPONENTS.	
THIS DRAWING IS A CONTROLLED DOCUMENT					



5214 Bonsai Street • Moorpark, CA 93021  
 (888) 498-3242 • sales@hasco-inc.com  
[www.hasco-inc.com](http://www.hasco-inc.com)

MATERIALS: SEE DATA SHEET	CAGE CODE: 0T8L4	SCALE: N/A	SIZE: A
FINISHES: SEE DATA SHEET	PART NO./DRAWING NO. <b>HAD-24P-29J-MF-RA-01</b>		REV: -