


Part No:

# HAD-24J-29P-FM-RA-01



## Mitered 2.4mm Female to 2.92mm Male Right Angle Adapter - 40 GHz

### Features

- RoHS Compliant 
- Thermal Shock: MIL-STD-202, Method 107, Cond. B
- Moisture Resistance: MIL-STD-202, Method 206
- Corrosion: MIL-STD-202, Method 101, Cond. B

The HASCO HAD-24J-29P-FM-RA-01 is a 2.4mm Female to 2.92mm Male between series adapter manufactured by HASCO Components. This between series 2.4mm to 2.92mm coax adapter will operate up to 40 GHz. Adapters that have a male to female or plug to jack configuration are known as “connector savers.” Typically, a low loss or low VSWR male to female adapter is placed on more expensive component connectors to prevent damage.

### Electrical

- Impedance 50  $\Omega$
- Frequency Range DC - 40 GHz
- VSWR 1.15:1 Max
- Insertion Loss  $\leq 0.06 \times \sqrt{f(\text{GHz})}$  dB
- Insulation Resistance  $\geq 5000 \text{ M}\Omega$
- Diel. Withstand Voltage 500 V rms
- Working Voltage 150 V rms
- RF Leakage  $\geq 100$  dB to 1 GHz

### Mechanical

- |                             | 2.4mm               | 2.92mm            |
|-----------------------------|---------------------|-------------------|
| • Coupling Nut Torque       | 7.08 to 9.74 in-lbs | 11.47 in-lbs      |
| • Coupling Proof Torque     | 15 in-lbs           | 15 in-lbs         |
| • Contact Captivation-Axial | $\geq 4.5$ lbs      | $\geq 4.9$ lbs    |
| • Durability                | $\geq 500$ cycles   | $\geq 500$ cycles |

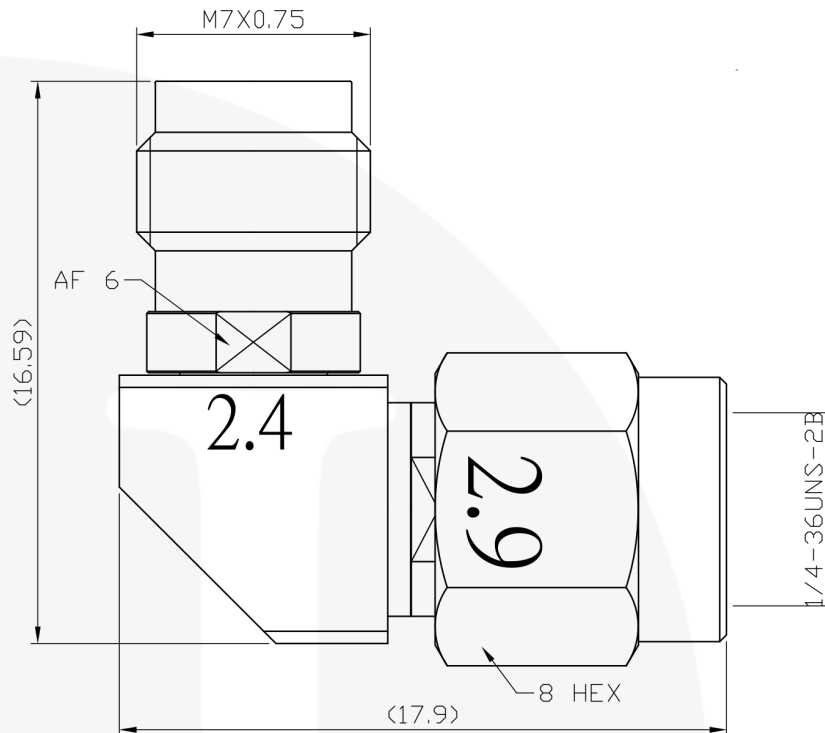
### Environmental


- Temperature Range -55°C to 105°C

### Material

- Connector Body & Nut Passivated Stainless Steel
- Dielectric PPO
- Center Contact Gold Plated BeCu
- Gasket Silicone
- Retainer Ring Tin-Zinc-Copper Alloy plated BeCu

# Mitered 2.4mm Female to 2.92mm Male Right Angle Adapter | DC - 40 GHz | Outline Drawing



LTR	DESCRIPTION	DATE	APPR.	DRAWN BY: <i>NS</i>	REVIEWED BY: <i>JS</i>	 <p>5214 Bonsai Street • Moorpark, CA 93021 (888) 498-3242 • sales@hasco-inc.com <a href="http://www.hasco-inc.com">www.hasco-inc.com</a></p>
-	RELEASE	9/24	TC		APPROVED BY: <i>TC</i>	
				THESE DRAWINGS AND SPECIFICATIONS ARE THE PROPERTY OF HASCO COMPONENTS AND SHALL NOT BE REPRODUCED, COPIED NOR USED - IN WHOLE OR IN PART - AS THE BASIS FOR THE MANUFACTURE OR SALE OF OTHER ITEMS WITHOUT THE EXPRESS, WRITTEN PERMISSION OF HASCO COMPONENTS.		MATERIALS: <b>SEE DATA SHEET</b>
						CAGE CODE: <b>0T8L4</b>
						SCALE: <b>N/A</b>
						SIZE: <b>A</b>
						PART NO./DRAWING NO. <b>HAD-24J-29P-FM-RA-01</b>
						REV: <b>-</b>
THIS DRAWING IS A CONTROLLED DOCUMENT						