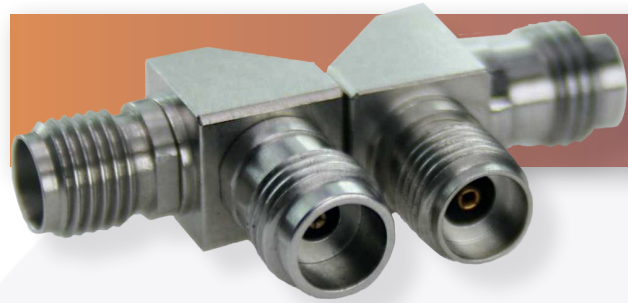



Part No:

HAD-24J-29J-FF-RA-01



Mitered 2.4mm Female to 2.92mm Female Right Angle Adapter - 40 GHz

Features

- RoHS Compliant 
- Thermal Shock: MIL-STD-202, Method 107, Cond. B
- Moisture Resistance: MIL-STD-202, Method 206
- Corrosion: MIL-STD-202, Method 101, Cond. B

The HASCO HAD-24J-29J-FF-RA-01 is a 2.4mm Female to 2.92mm Female between series adapter manufactured by HASCO Components. This between series 2.4mm to 2.92mm coax adapter will operate up to 40 GHz. Adapters that have a male to female or plug to jack configuration are known as “connector savers.” Typically, a low loss or low VSWR male to female adapter is placed on more expensive component connectors to prevent damage.

Electrical

- Impedance 50 Ω
- Frequency Range DC - 40 GHz
- VSWR 1.15:1 Max
- Insertion Loss $\leq 0.06 \times \sqrt{f(\text{GHz})}$ dB
- Insulation Resistance $\geq 5000 \text{ M}\Omega$
- Diel. Withstand Voltage 500 V rms
- Working Voltage 150 V rms
- RF Leakage $\geq 100 \text{ dB to } 1 \text{ GHz}$

Mechanical

- | | 2.4mm | 2.92mm |
|-----------------------------|---------------------------|---------------------------|
| • Coupling Nut Torque | 7.08 to 9.74 in-lbs | 11.47 in-lbs |
| • Coupling Proof Torque | 15 in-lbs | 15 in-lbs |
| • Contact Captivation-Axial | $\geq 4.5 \text{ lbs}$ | $\geq 4.9 \text{ lbs}$ |
| • Durability | $\geq 500 \text{ cycles}$ | $\geq 500 \text{ cycles}$ |

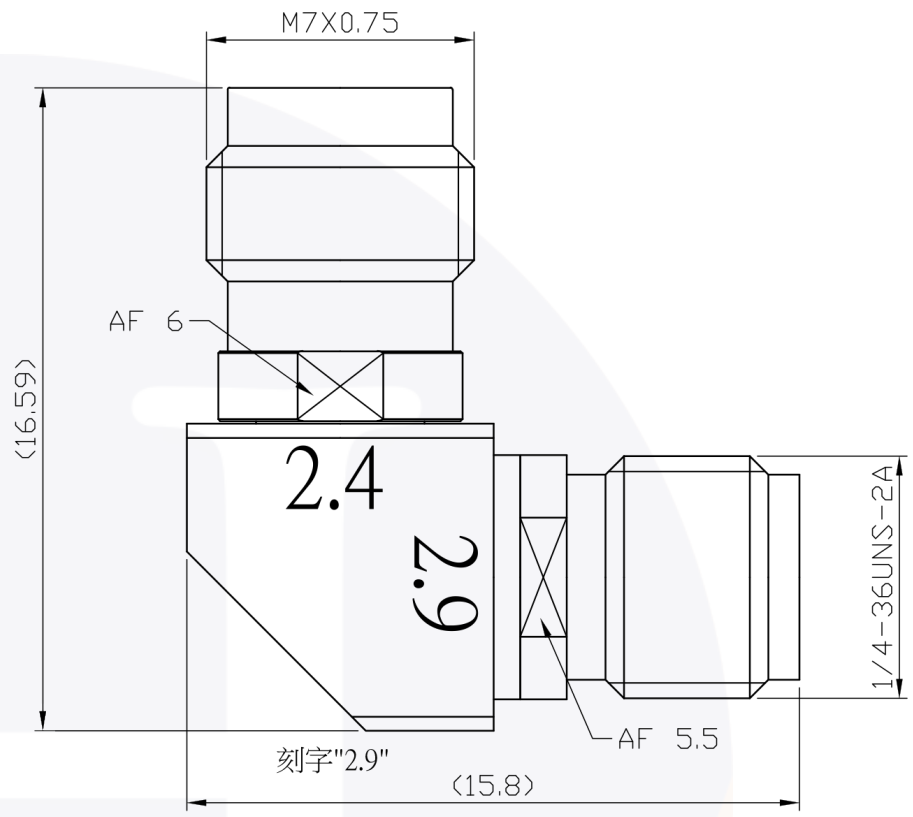
Environmental

- Temperature Range -55°C to 105°C

Material

- Connector Body Passivated Stainless Steel
- Dielectric PPO
- Center Contact Gold Plated BeCu

Mitered 2.4mm Female to 2.92mm Female Right Angle Adapter | DC - 40 GHz | Outline Drawing



LTR	DESCRIPTION	DATE	APPR.	DRAWN BY: NS	REVIEWED BY: JS
-	RELEASE	9/24	TC		APPROVED BY: TC
				THESE DRAWINGS AND SPECIFICATIONS ARE THE PROPERTY OF HASCO COMPONENTS AND SHALL NOT BE REPRODUCED, COPIED NOR USED - IN WHOLE OR IN PART - AS THE BASIS FOR THE MANUFACTURE OR SALE OF OTHER ITEMS WITHOUT THE EXPRESS, WRITTEN PERMISSION OF HASCO COMPONENTS.	
THIS DRAWING IS A CONTROLLED DOCUMENT					



5214 Bonsai Street • Moorpark, CA 93021
 (888) 498-3242 • sales@hasco-inc.com
www.hasco-inc.com

MATERIALS: SEE DATA SHEET	CAGE CODE: 0T8L4	SCALE: N/A	SIZE: A
FINISHES: SEE DATA SHEET	PART NO./DRAWING NO. HAD-24J-29J-FF-RA-01		REV: -