


Part No:

HAD-185P24J



1.85mm Male to 2.4mm Female Adapter - 50 GHz

Features

- RoHS Compliant 
- Thermal Shock: MIL-STD-202, Method 107, Cond. B
- Moisture Resistance: MIL-STD-202, Method 206
- Corrosion: MIL-STD-202, Method 101, Cond. B
- Interface: MIL-STD-348B (2.4mm), IEEE287; IEC61169-32 (1.85mm)

HAD-185P24J is a 1.85mm Male to 2.4mm Female between series adapter manufactured by HASCO Components. This between series 1.85mm to 2.4mm coax adapter will operate up to 50 GHz and offers a VSWR of 1.15:1. Adapters that have a male to female or plug to jack configuration are known as “connector savers.” Typically, a low loss or low VSWR male to female adapter is placed on more expensive component connectors to prevent damage.

Electrical

- Impedance 50 Ω
- Frequency Range DC - 50 GHz
- VSWR 1.15:1 Max
- Insertion Loss $\leq 0.05 \times f(\text{GHz})$ dB
- Insulation Resistance $\geq 5000M\Omega$
- Diel. Withstanding Voltage 500 V rms (sea level)
- Working Voltage 150 V rms (sea level)
- RF Leakage ≥ 100 dB to 1 GHz

Mechanical

- Coupling Nut Torque 7.08 to 9.74 in/lbs
- Coupling Proof Torque 15 in/lbs
- Contact Captivation Axial ≥ 4.5 lbs
- Durability ≥ 500

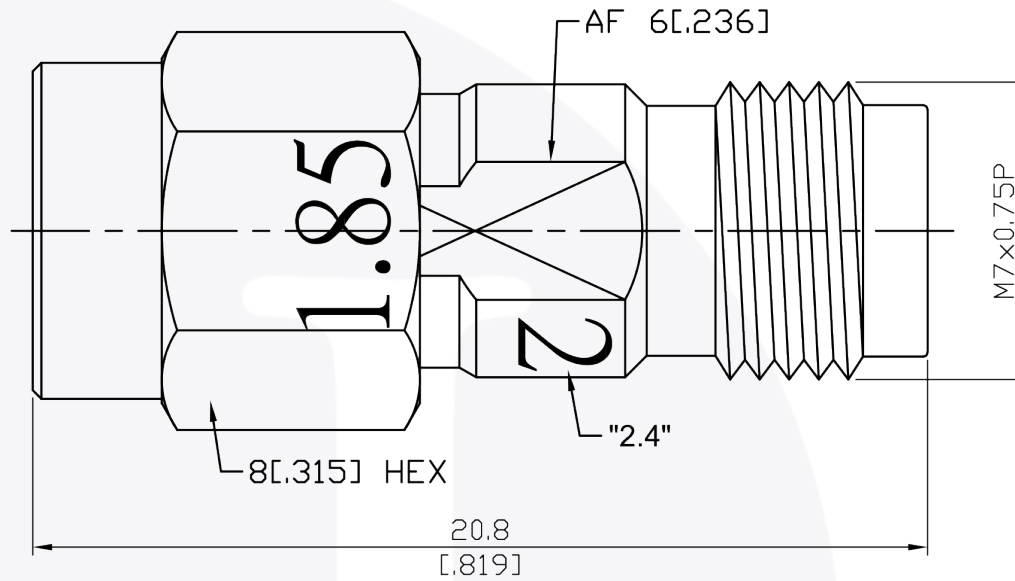
Environmental


- Temperature Range -40°C to 165°C

Material

- Connector Body & Nut Passivated Stainless Steel
- Center Contact Gold Plated BeCu
- Dielectric PEI
- Gasket Silicone

1.85mm Male to 2.4mm Female Adapter | DC - 50 GHz | Outline Drawing



LTR	DESCRIPTION	DATE	APPR.	DRAWN BY: <i>NS</i>	REVIEWED BY: <i>JS</i>	 5214 Bonsai Avenue • Moorpark, CA 93021 (888) 498-3242 • sales@hasco-inc.com www.hasco-inc.com					
-	RELEASE	3/25	TC		APPROVED BY: <i>TC</i>						
				THESE DRAWINGS AND SPECIFICATIONS ARE THE PROPERTY OF HASCO COMPONENTS AND SHALL NOT BE REPRODUCED, COPIED NOR USED - IN WHOLE OR IN PART - AS THE BASIS FOR THE MANUFACTURE OR SALE OF OTHER ITEMS WITHOUT THE EXPRESS, WRITTEN PERMISSION OF HASCO COMPONENTS.		MATERIALS: SEE DATA SHEET	CAGE CODE: 0T8L4	SCALE: N/A	SIZE: A		
						FINISHES: SEE DATA SHEET	PART NO./DRAWING NO. HAD-184P24J		REV: -		
THIS DRAWING IS A CONTROLLED DOCUMENT											