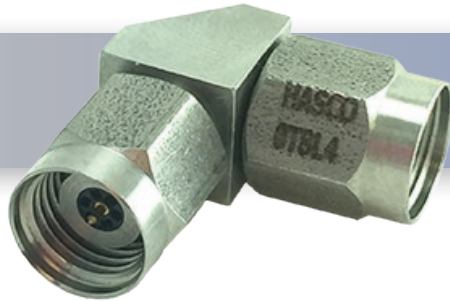



Part No:

24P-24P-RA



2.4mm Male to 2.4mm Male Right Angle Adapter With Passivated Stainless Steel Body, DC - 50 GHz

The HASCO **24P-24P-RA** is a Right Angle RF Adapter that operates from DC to 50 GHz. and offers 1.30:1 max VSWR.

The 24P-24P-RA Adapter is RoHS Compliant 

HASCO stocks an extensive selection of RF and Microwave between-series, in-series, right angle and low PIM adapters. Adapters that have a male to female or plug to jack configuration are known as “connector savers.” Typically, a low loss or low VSWR male to female adapter is placed on more expensive component connectors to prevent damage. Bulkhead adapters and straight adapters are also available from HASCO Components

Electrical

- Frequency Range DC - 50 GHz
- VSWR DC - 50 GHz..... 1.30:1
- Impedence 50 Ohms
- Insertion Loss .50dB Max
- Connector Durability 500 Cycles Min

Environmental Data

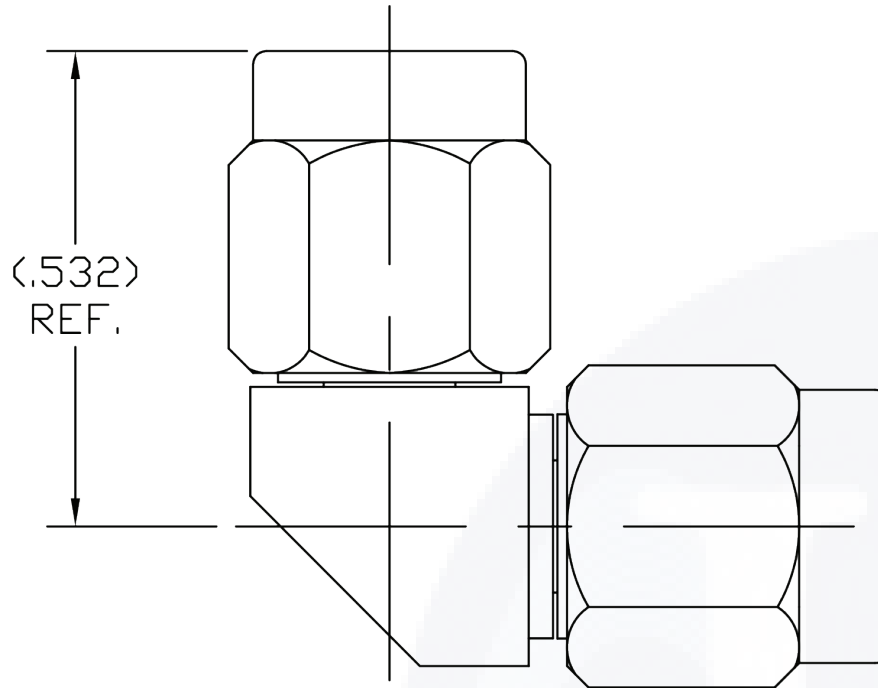
- Temperature Range -55°C - +125°C

Material


- Dielectric PCTFE (KEL-F)
- Center Conductor Gold Plated BeCu
- Body Passivated Stainless Steel
- Connector Nut Gold Plated BeCu

To view online, go to: <https://www.hasco-inc.com/adapters/2-4mm-male-to-2-4mm-male-right-angle-adapter/>

2.4mm Male to Male Right Angle Adapter | DC - 50 GHz | Outline Drawing



To view online, go to: <https://www.hasco-inc.com/adapters/2-4mm-male-to-2-4mm-male-right-angle-adapter/>

LTR	DESCRIPTION	DATE	APPR.	DRAWN BY: JMS	CHECKED BY: TAC		5214 Bonsai Street • Moorpark, CA 93021 (888) 498-3242 • sales@hasco-inc.com www.hasco-inc.com				
-	RELEASE	10/19	TAC	APPROVED BY: TAC							
				THESE DRAWINGS AND SPECIFICATIONS ARE THE PROPERTY OF HASCO COMPONENTS AND SHALL NOT BE REPRODUCED, COPIED NOR USED - IN WHOLE OR IN PART - AS THE BASIS FOR THE MANUFACTURE OR SALE OF OTHER ITEMS WITHOUT THE EXPRESS, WRITTEN PERMISSION OF HASCO COMPONENTS.		MATERIALS: SEE DATA SHEET	CAGE CODE: OT8L4	SCALE: N/A	SIZE: A		
						FINISHES: SEE DATA SHEET	PART NO./DRAWING NO. 24P-24P-RA		REV: -		
						THIS DRAWING IS A CONTROLLED DOCUMENT					