

REVISION

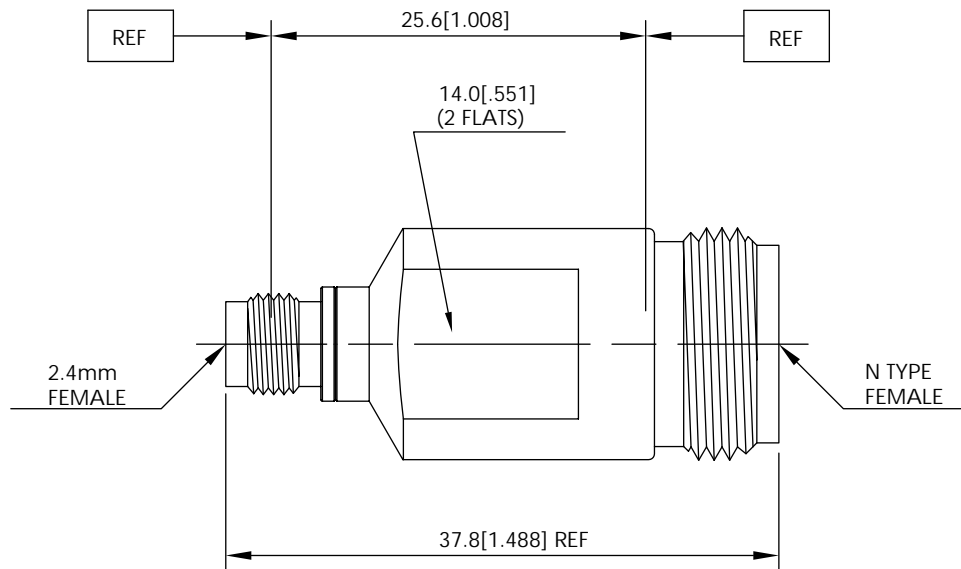
| | | |
|--------|-----|-------------|
| REV. A | CZB | J LIAO |
| N/A | | JUN-08-2015 |

RELEASE FOR PRODUCTION

- NOTES:
- ELECTRICAL:
 - IMPEDANCE: 50Ω
 - FREQUENCY RANGE: DC~18GHZ
 - VSWR: 1.15 MAX@18GHZ
 - ENVIRONMENTAL:
 - TEMPERATURE RANGE: -65°C TO +165°C
 - MECHANICAL:
 - DURABILITY: 1000 CYCLES
 - MATERIAL AND FINISH:
 - BODY: STAINLESS STEEL, PASSIVATED
 - CENTER CONTACT: BERYLLIUM COPPER, GOLD PLATED
 - DIELECTRIC: PEI, NATURAL

**DESIGNED & DIMENSIONED
IN MILLIMETERS[INCHES]**

**THIS PRODUCT MANUFACTURED
WITH LEAD-FREE PROCESSING**



CUSTOMER OUTLINE DRAWING

ALL OTHER SHEETS ARE FOR INTERNAL USE ONLY

UNLESS OTHERWISE SPECIFIED,
DIMENSIONS ARE IN MILLIMETERS.
AND TOLERANCES ARE:
DECIMALS ANGLES
X.X: ±0.25 [.0100] ±3°
X.XX: ±0.05 [.0020]
X.XXX: ±0.025 [.0010]

PROPRIETARY NOTE

THIS DOCUMENT CONTAINS INFORMATION
CONFIDENTIAL AND PROPRIETARY TO
Micable, INC. AND SHALL NOT BE REPRODUCED
OR TRANSFERRED TO OTHER DOCUMENTS OR
DISCLOSED TO OTHERS OR USED FOR ANY
PURPOSE OTHER THAN THAT WHICH IT WAS
OBTAINED WITHOUT THE EXPRESSED WRITTEN
CONSENT OF Micable, INC.



5214 Bonsai Street, Moorpark, CA 93021
(888) 498-3242 • www.hasco-inc.com

DRAWN: CZB DATE: JUN-08-2015

REVIEWED: J LIAO DATE: JUN-08-2015

APPROVED: J LIAO DATE: JUN-08-2015

REFERENCE: N/A

CAGE CODE: OT8L4

DESCRIPTION: 2.4 FEMALE TO N TYPE FEMALE
ADAPTOR, 50 OHMS

DWG. NO. 24J-NJ-FF

SCALE: 4:1 REV. A SHEET 2 OF 2