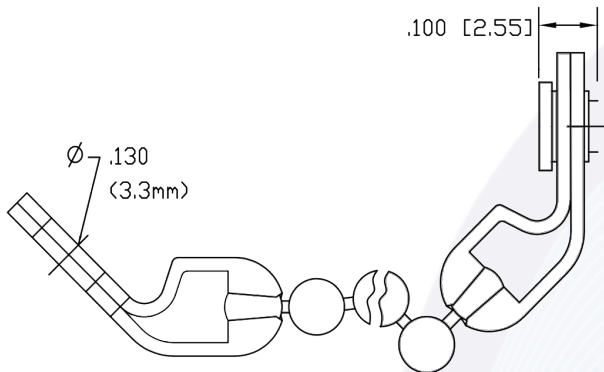
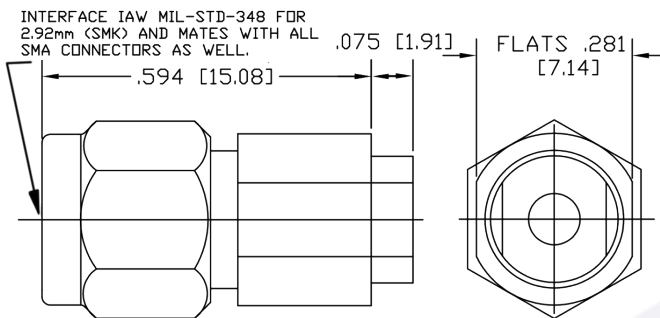




## 2.92mm Male Termination • DC - 40 GHz • 1 & 2 Watts

### Part No: HT40M & HT40M-2



OPTIONAL BEAD CHAIN - 2" MIN (52 mm) LENGTH  
ADD "C" TO PART NUMBER TO SPECIFY OPTION



### Electrical

- **Frequency Range** DC - 40 GHz
- **VSWR** DC - 40 GHz.....1.25 MAX
- **Impedance** 50 Ohms
- **Power**

**HT40M:** 1 Watt Average at 25°C  
Derated Linearly to 10% @ +125°C

**HT40M-2:** 2 Watt Average at 25°C  
Derated Linearly to 10% @ +125°C

### Material

- **Dielectric** High Temperature Plastic Bead
- **Contact** Beryllium Copper, Gold Plated  
IAW MIL-PRF-39012
- **Housing** Passivated Stainless Steel  
IAW ASTM-A484 & ASTM-A582,  
Alloy 303, Cond. A

### Environmental Data

- **Temperature Range** -55°C - +125°C
- **Interface** IAW MIL-STD-348 for  
2.92 mm (SMK) and  
Mates with all SMA  
Connectors as well