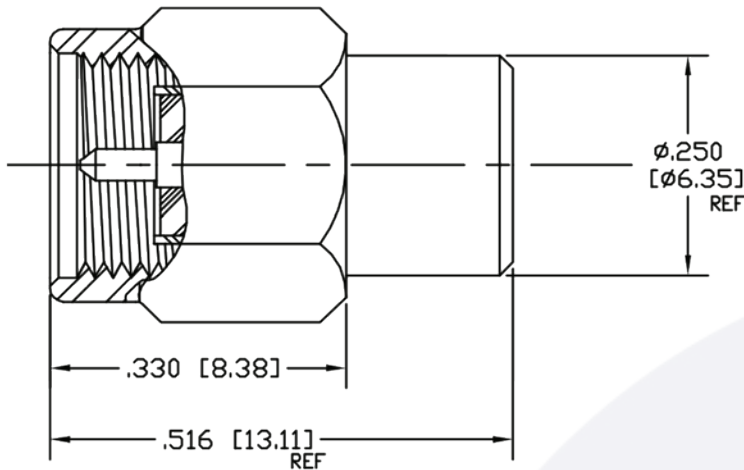




## SMA Male Termination • DC - 27 GHz • 1 Watt

### Part #HT18M-L



#### Electrical

- **Frequency Range** DC - 18 GHz
- **VSWR**
  - DC - 4 GHz.....1.05
  - 4 - 6 GHz .....1.10
  - 8 - 12.4 GHz ....1.15
  - 12.4 - 18 GHz ..1.20
- **Impedance** 50 Ohms
- **Power** 1 Watt Average at 25°C  
Derated Linearly from  
+45°C to <10% @ +125°C

#### Environmental Data

- **Temperature Range** -65°C - +125°C
- **Interface** Connector Interface  
Complies with MIL-PRF-39012  
and MIL-STD-348 for SMA  
Mating Characteristics

#### Material

- **Dielectric** Teflon per ASTM D1710
- **Inner Conductor** Gold Plated Brass
- **Outer Conductor** Steel, Corrosion Resistant  
per ASTM A484 & A582,  
Class 303, Cond. A
- **Body** Gold Plated Passivated  
Stainless Steel
- **Coupling Nut** Gold Plated Passivated  
Stainless Steel