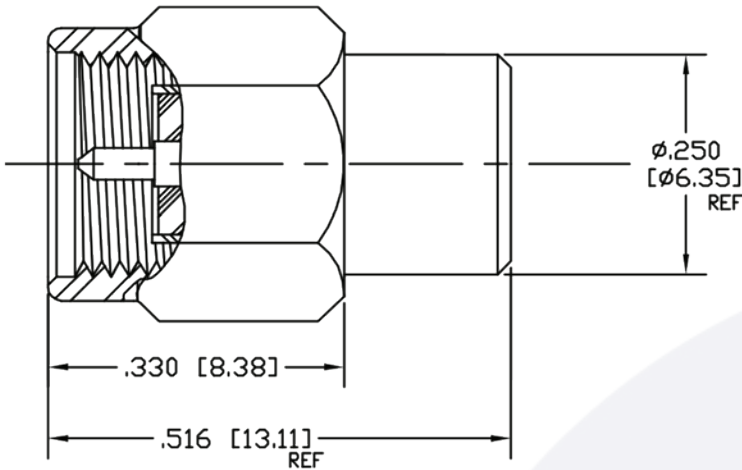




SMA Male Termination • DC - 27 GHz • 2 Watts

Part #HT18M-L2



Electrical

- **Frequency Range** DC - 18 GHz
- **VSWR**
 - DC - 4 GHz1.05
 - 4 - 6 GHz1.10
 - 8 - 12.4 GHz1.15
 - 12.4 - 18 GHz ..1.20
- **Impedance** 50 Ohms
- **Power** 2 Watt Average at 25°C
Derated Linearly from
+45°C to <10% @ +125°C

Environmental Data

- **Temperature Range** -65°C - +125°C
- **Interface** Connector Interface
Complies with MIL-PRF-39012
and MIL-STD-348 for SMA
Mating Characteristics

Material

- **Dielectric** Teflon per ASTM D1710
- **Inner Conductor** Gold Plated Brass
- **Outer Conductor** Steel, Corrosion Resistant
per ASTM A484 & A582,
Class 303, Cond. A
- **Body** Gold Plated Passivated
Stainless Steel
- **Coupling Nut** Gold Plated Passivated
Stainless Steel