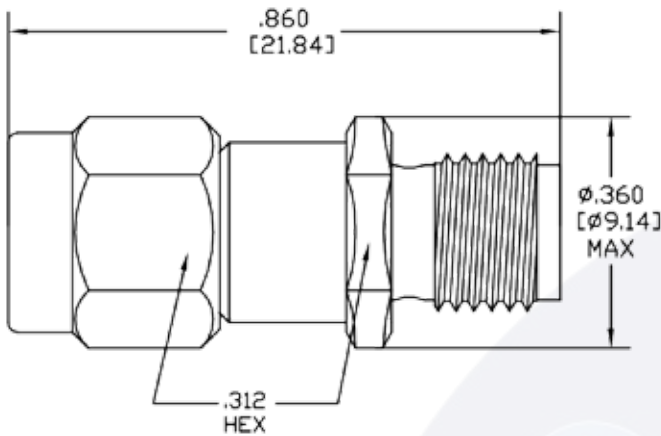




# DC Block • SMA Male-Female Inner Only • 7 KHz - 23 GHz

## Part No: HDC23I



### Electrical

- **Frequency Range** 7 KHz - 23 GHz
- **VSWR** 7 KHz - 23 GHz..... 1.30:1
- **Insertion Loss** 100 KHz - 12.4 GHz..0.50 dB  
12.4 - 23 GHz.....0.75 dB
- **Impedance** 50 Ohms
- **Voltage** 100 Volts Max.
- **Power (AVG)** 2 Watts  
Derated Linearly from  
+25°C to <10% @ +125°C
- **Temperature Range** -65°C - +125°C

### Material

- **Capacitor** 474 nf Typically (474,000pf)
- **Connector Body & Coupling Nut** Stainless Steel  
IAW A582, Type 303,  
Passivated per QQ-P-35
- **Center Contact** Beryllium Copper Alloy  
C17200 or C17300 IAW  
ASTM B196/B197,  
Gold Plated per  
MIL-PRF-39012 (ASTM-B488)