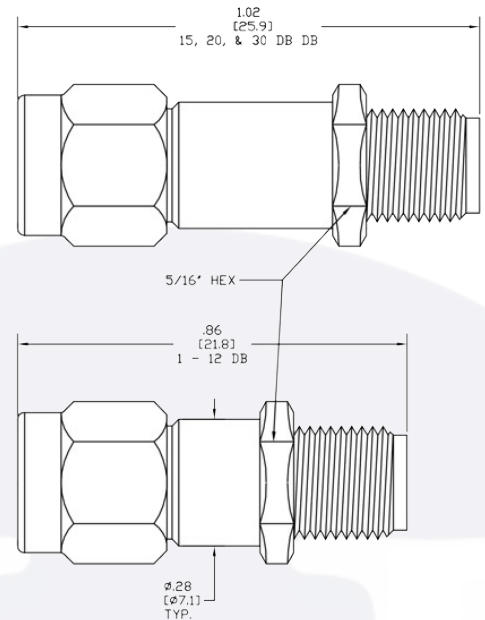




SMA Attenuators • Male to Female • DC - 26 GHz

Part No: HA26A-XX**

**Replace XX with dB Value



Electrical

- **Frequency Range** DC - 26 GHz
- **Attenuation (dB)**
 - 0 dB0 to 0.50 dB
 - 1 - 12 dB± 0.50 dB
 - 15 & 20 dB± 0.75 dB
 - 30dB± 1.25 dB
- **VSWR (MAX)**
 - DC - 6 GHz.....1.15:1
 - 6 - 18 GHz1.25:1
 - 18 - 26 GHz1.35:1
- **Impedence** 50 Ohms
- **RF Power Nominal** 2 Watt Average at 25°C
(5 μSec PW, 0.10% Duty Cycle)
PEAK: 500 WATTS MAX
(Derates Linearly to .5W @ 125°C)

Mechanical Specifications

- **Temperature Range** -65°C - +125°C
- **Connectors**
Passivated Stainless Steel
- **Connector Pins**
Beryllium Copper, Gold Plate
- **Dielectric**
Teflon
- **Housing**
Passivated Stainless Steel

Meets environmental requirements of MIL-DTL-3933/21
Connectors comply with MIL-STD-348 for mating of SMA Connectors