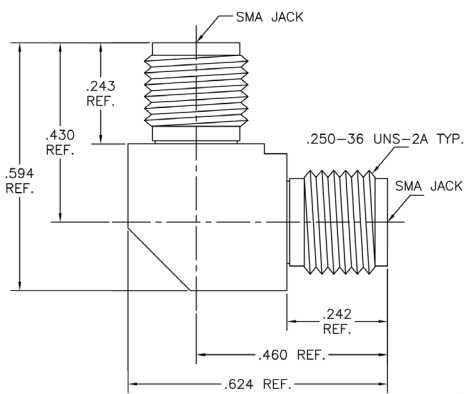




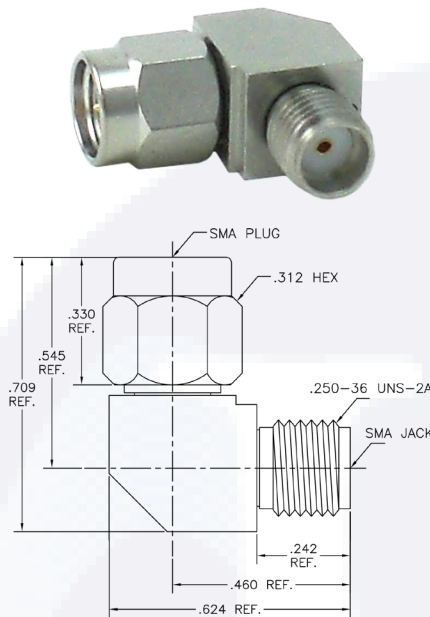
SMA SERIES RIGHT ANGLE ADAPTERS

PART NUMBERS

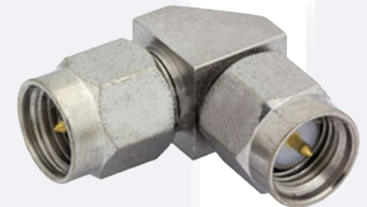
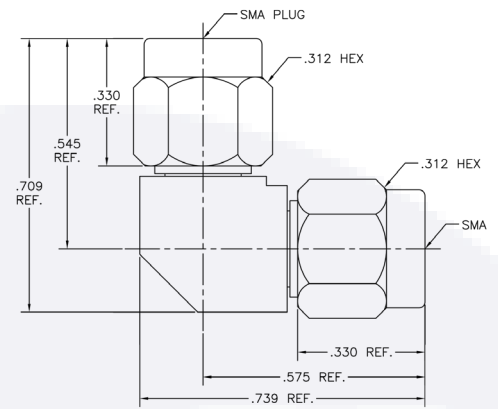
SMAJ-SMAJ-RA



SMAJ-SMAP-RA



SMAP-SMAP-RA



Electrical

- **Frequency Range** DC - 27 GHz
- **VSWR** DC - 18 GHz.....1.20:1
18 - 27 GHz.....1.35:1
- **Impedance** 50 Ohms
- **Temperature Range** -65°C to +165°C
- **Power** Dielectric Withstanding Voltage, Sea Level:
1000 Volts RMS

Materials

- **Center Contact** Beryllium Copper, Per ASTM-B-196
- **Body and Coupling Nut** Corrosion resistant steel Type 303 (Stainless) Non-magnetic, per ASTM-A-484 & ASTM-A-582
- **Dielectric** PTFE, (Fluorocarbon) per ASTM-D-1457
- **Gasket** Silicone R. per ZZ-R-765, Class IIB, Grade 65-67